

SERVICE
MANUAL

SR5100/MR1155

marantz®

model SR5100/MR1155

Stereophonic Receiver

MARANTZ DESIGN AND SERVICE

Using superior design and selected high grade components, MARANTZ Company has created the ultimate in stereo sound. Only original MARANTZ parts can insure that your MARANTZ product will continue to perform to the specifications for which it is famous.

Parts for your MARANTZ stereo are generally available within 72 hours throughout the nation via a toll-free line to our National Parts Depot in California. The sales professionals who take your call immediately refer to their own desk top computer terminal and can quickly determine the availability and price information you require. If for some reason, your order should exceed our available stock, we usually can instantly provide an alternate replacement part or current delivery information. When the order is placed and confirmed, the computer simultaneously generates "hard copy" orders at the distribution center. As hard copies come directly from the computer to the national parts depot, your requested stock is assembled and prepared for shipment and placed on the first available carrier for delivery to you.

ORDERING PARTS

Phone orders will eliminate mail delays, and we encourage the use of this method. If you order by mail, use MARANTZ parts order forms which are available from our National Parts Depot located at the following address:

SUPERSCOPE NATIONAL PARTS DEPARTMENT
20525 Nordhoff Street
Chatsworth, California 91311
Phone: 1-800-423-5108
1-213-998-9333

The following information must be supplied to eliminate delays in processing your order:

1. Complete address.
2. Complete part numbers.
3. Complete description of parts.
4. Model number for which part is required (indicate MARANTZ).
5. Account number (for account customers only).

Direct consumers will be provided with the current retail price quotation on available parts in order to advise them of the cost of the parts and shipping.

OVERSEAS PARTS ORDERING

Parts may also be ordered from the following overseas addresses:

U.S.A.
Marantz Company, Inc.
National Service Dept.
P.O. Box 577
Chatsworth, CA91311
U.S.A.

CANADA
Superscope Canada, Ltd.
3710 Nashua Drive
Mississauga
Ontario, Canada L4V1M5

AUSTRALIA
Marantz Australia
32 Cross Street
Brookvale, NSW 2100
Australia

JAPAN
Marantz Japan, Inc.
3622 Kamitsuruma
Sagamihara-shi
Kanagawa, Japan

EUROPE

Marantz Europe S.A.
326 Avenue Louise Bte 32
1050 Brussels
Belgium

Marantz France
4 rue Bernard Palissy
92600 Asnieres
France

Marantz Audio U.K., Ltd.
193 London Road
Staines, Middlesex
United Kingdom

Marantz Germany GMBH
Max-Planck-Strasse 22
6072 Dreieich
West Germany

Marantz Belgium
45 rue Auguste Van Zande
1080 Brussels
Belgium

Marantz Svenska A.B.
Franzengatan 6
10425 Stockholm
Sweden

Marantz Norske A.S.
Refstadalleen 13
Oslo 5
Norway

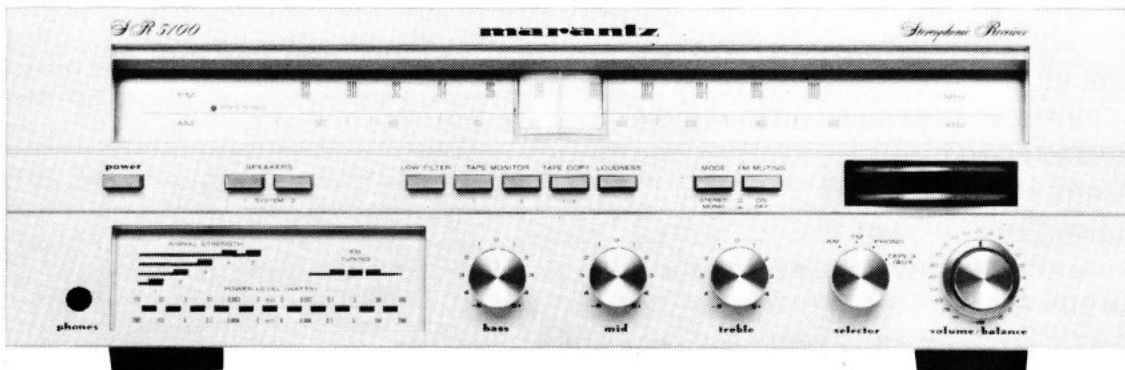
All of the above locations are fully equipped to take care of your total service needs. Because various countries have differing configuration requirements, it is necessary that you contact the service facility in your particular country. In the event that there is no service location listed for your country, please contact the nearest facility for the necessary assistance.

marantz®

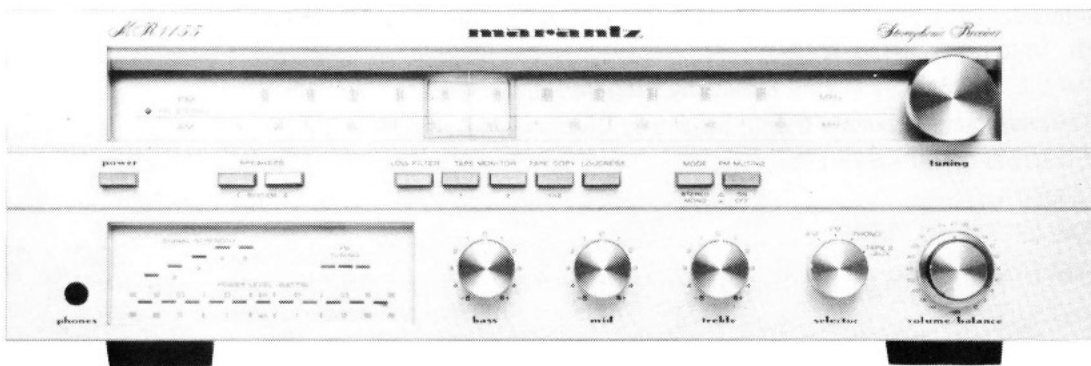
TABLE OF CONTENTS

SECTION	PAGE
1. P.W. BOARDS	1
2. TEST EQUIPMENT REQUIRED FOR SERVICING	2
3. ALIGNMENT POINTS	2
4. FM ALIGNMENT PROCEDURES	3
5. AM ALIGNMENT PROCEDURES	4
6. AUDIO ALIGNMENT PROCEDURES	5
7. BLOCK DIAGRAM	6
8. SCHEMATIC DIAGRAM AND COMPONENT LOCATIONS	7
8.1 Tuner Assembly (P100) Schematic Diagram and Component Locations	7
8.2 Main Amp/Power Supply Assembly (P700) Schematic Diagram and Component Locations	9
8.3 Tone Amp Assembly (PE00) Schematic Diagram and Component Locations	10
8.4 Push Switch Assembly (PS00) Schematic Diagram and Component Locations	10
8.5 L.E.D. Driver and L.E.D. Assembly (PL01, PL02) Schematic Diagram and Component Locations	11
8.6 S.P.K. Switch Assembly (PT00) Schematic Diagram and Component Locations	12
8.7 Headphone Jack Assembly (PW00) Schematic Diagram and Component Locations	12
8.8 S.P.K. Terminal Assembly (PW50) Schematic Diagram and Component Locations	12
8.9 Stereo L.E.D. Assembly (PY00) Schematic Diagram and Component Locations	12
8.10 Dial Pointer Lamp Assembly (PZ00) Schematic Diagram and Component Locations	12
9. EXPLODED VIEW AND PARTS LIST	13
10. ELECTRICAL PARTS	19
11. TECHNICAL SPECIFICATIONS	25
12. SCHEMATIC DIAGRAMS	28

MODEL SR5100 STEREOPHONIC RECEIVER



MODEL MR1155 STEREOPHONIC RECEIVER



INTRODUCTION

This service manual was prepared for use by Authorized Warranty Stations and contains service information for Marantz Model SR5100/MR1155 Stereophonic Receiver.

Servicing information and voltage data included in this manual are intended for use by the knowledgeable and experienced technician only. All instructions should be read carefully. No attempt should be made to proceed without a good understanding of the operation of the receiver.

The parts list furnishes information by which replacement parts may be ordered from the Marantz Company. A simple description is included for parts which can usually be obtained through local suppliers.

1. P.W. BOARDS

As can be seen from the circuit diagram the chassis of Model SR5100/MR1155 consists of the following units. Each unit mounted on a printed circuit board is described within the square enclosed by a bold dotted line on the circuit diagram.

1. Tuner mounted on P.W. Board P100
2. Main Amp/Power
Supply mounted on P.W. Board P700
3. Tone Amp mounted on P.W. Board PE00
4. L.E.D. Driver mounted on P.W. Board PL01
5. L.E.D. Drive mounted on P.W. Board PL02
6. Push Switch mounted on P.W. Board PS00
7. S.P.K. Switch mounted on P.W. Board PT00
8. Headphone Jack mounted on P.W. Board PW00
9. S.P.K. Terminal mounted on P.W. Board PY00
10. Stereo L.E.D. mounted on P.W. Board PY00
11. Dial Pointer Lamp mounted on P.W. Board PZ00

2. TEST EQUIPMENT REQUIRED FOR SERVICING

This table lists the test equipment required for servicing the Model SR5100/MR1155 Receiver.

Item	Manufacturer and Model No.	Use
AM Signal Generator		Signal source for AM alignment
Test Loop		Use with AM Signal Generator
FM Signal Analyzer MPX Signal Generator	Sound Technology Model 1000A	Signal source for FM alignment Stereo separation alignment and trouble shooting
Distortion Analyzer Audio Oscillator AC VTVM	Sound Technology Model 1700A	Distortion measurements Sinewave and squarewave signal source Voltage measurements (AC)
Oscilloscope	Tektronix Model T932 Philips Model 3232	Waveform analysis and trouble shooting and ASO alignment
Frequency Counter	Fluke Model 1900A	MPX Oscillator adjustment (VCO)
Circuit Tester		Trouble shooting
DC VTVM	Fluke Model 8000 "Digital" Simpson Model 313, Triplet Model 801	Voltage measurements (DC)
AC Wattmeter	Simpson Model 1379	Monitors primary power to amplifier
AC Ammeter	Commercial Grade (1-10A)	Monitors amplifier output under short circuit condition
Line Voltmeter	Simpson Model 1359	Monitors potential of primary power to amplifier
Variable Autotransformer	Superior Electronic Co., Powerstat Model 116B-10A	Adjusts level of primary power to amplifier
Shorting Plug	Use phono plug with 600-ohm across center pin and shell	Shorts amplifier input to eliminate noise pickup
Output Load (8 ohms, ±0.5%, 100W)	Commercial Grade	Provides 8-ohm load for amplifier output termination
Output Load (4 ohms, ±0.5%, 100W)	Commercial Grade	Provides 4-ohm load for amplifier output termination

3. ALIGNMENT POINTS

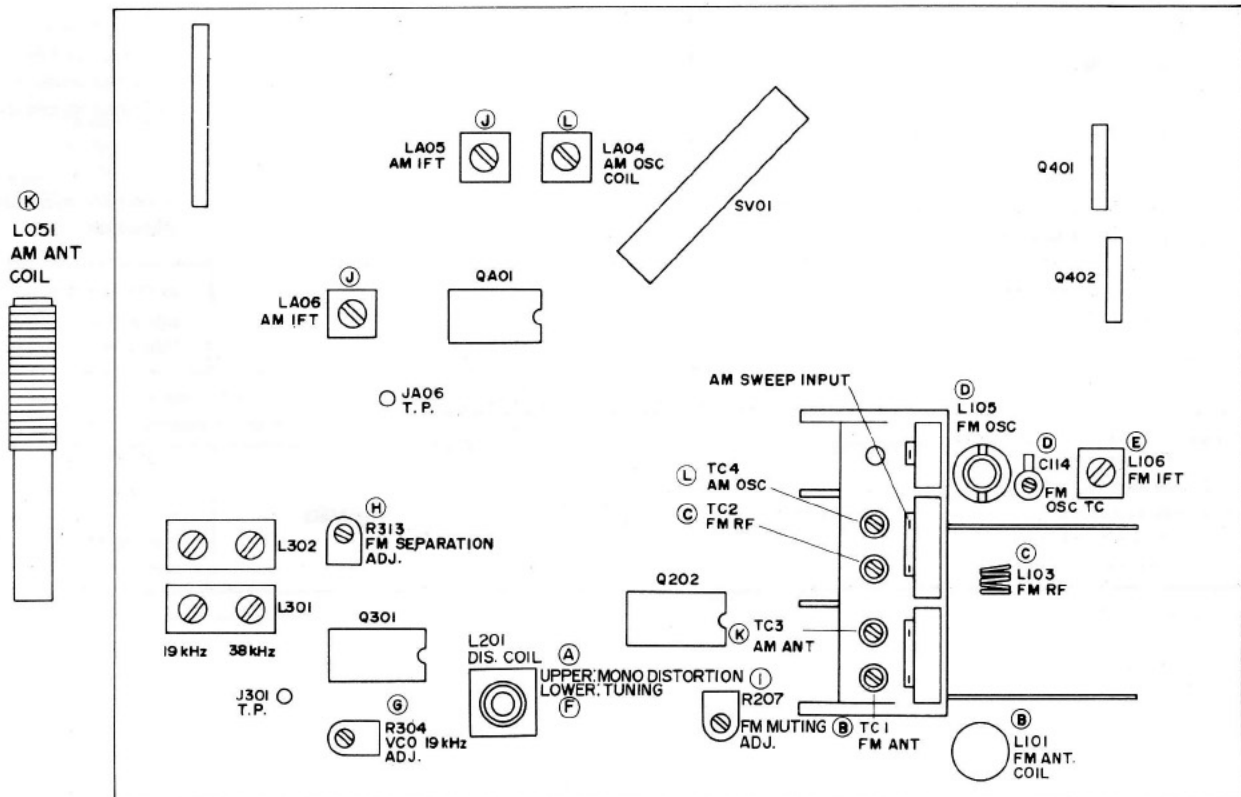


Figure 1. Adjustment Point Locations

* A dummy resistor of 47 kohms must be connected across the tape output terminals before alignment.

4. FM ALIGNMENT PROCEDURES

(Selector switch in the "FM" position)

Step	Signal Source Connection	Signal Frequency	Indicator Connection	Set Dial Pointer to:	Adjust:
4.1 FM IF ALIGNMENT					
1	Sweep generator to point (O) through 5pF capacitor	10.7 MHz market at 10.6, 10.7 and 10.8 MHz	Oscilloscope to point (M)	Quiet point on band.	L 106 (E) for maximum and symmetric response.
2			Oscilloscope to point (N)		L 201 (A) (Secondary core bottom) for straight and symmetric "S" curve response.
3	Repeat steps 1 and 2.				
4.2 FM RF ALIGNMENT					
1	RF generator to FM antenna terminals through matching network (300 ohms, balanced) Maintain RF level below limit.)	87.4 MHz	VTVM to L or R channel output (J014) (Tape out jack)	87.4 MHz with tuning gang closed.	L 105 (D) for maximum output.
2		108.2 MHz		108.2 MHz with tuning gang open.	C114 (D) for maximum output.
3		90 MHz		90 MHz	L101 (B), L103 (C) for maximum output.
4		106 MHz		106 MHz	Ant. RF trimmer for maximum output. (TC1 (B), TC2) (C)
5	Repeat steps 1 to 4.				
6	Check overall response curve and repeat above steps as necessary to obtain maximum sensitivity.				
7	No connection	No signal	—	—	L201 (F) (secondary core bottom) for FM L.E.D. TUNING meter pointer indicated its center.
8	FM generator 1 mV output to FM antenna terminals through matching network (300 ohms, balanced)	98 MHz	Distortion meter to L or R channel output (J014) (Tape out jack)	98 MHz	L201 (A) (primary core upper) for minimum distortion.
9					R223 to R225 so that signal strength meter M002 may read 80%.
4.3 MUTING CIRCUIT ALIGNMENT					
1	RF generator 12.5μV output to FM antenna terminals through matching network (300 ohms, balanced)	98 MHz	VTVM to R or L channel output (J014) (Tape out jack)	98 MHz	R207 (I) for 12.5μV threshold level. (During the adjustment turn the FM MUTING push-switch "ON").

4.3 MULTIPLEX ALIGNMENT PROCEDURES

(Selector switch in the "FM" position)

Step	Signal Source Connection	Signal Frequency	Indicator Connection	Set Dial Pointer to:	Adjust:
1	RF generator to FM antenna terminals through matching network (300 ohms, balanced), with 1mV FM stereo simulator RF level and 100% modulation (pilot 9%)	No modulation	Frequency counter to point (J301)	98 MHz	R304 (G) so that frequency counter may precisely read 19 kHz.
2		Stereo, left (1,000 Hz)	VTVM to right channel output (J014) (Tape out jack)		R313 (H) for minimum output and same separation in both channels.
3		Stereo, right (1,000 Hz)	VTVM to left channel output (J014) (Tape out jack)		
4	Repeat steps 2 and 3.				
4.5 SIGNAL L.E.D. METER ALIGNMENT					
1	RF generator 500 μ V output to FM antenna terminals through matching network (300 ohms, balanced)	98 MHz		98 MHz	Adjust the trimming resistor RL02 so that the signal LED meter leading is 5 point.

5. AM ALIGNMENT PROCEDURES

(Selector switch in the "MW" or "LW" position)

Step	Signal Source Connection	Signal Frequency	Indicator Connection	Set Dial Pointer to:	Adjust:
5.1 AM IF ALIGNMENT					
1	Sweep generator to point C120	450 kHz marker	Oscilloscope to point (JA06) T.P.	Quiet point on band.	LA05, LA06 (J) for maximum and sym-response.
5.2 MW RF ALIGNMENT					
1	Apply the signal to the AM bar antenna from the RF generator. Using the test loop.	520 kHz	VTVM to L or R channel output (J014) (Tape out jack)	520 kHz with tuning gang closed.	LA04 (L) for maximum output.
2		1,630 kHz		1,630 kHz with tuning gang open.	TC4 (L) for maximum output.
3		600 kHz		600 kHz	L051 (K) for maximum output.
4		1,400 kHz		1,400 kHz	TC3 (K) for maximum output.
5		Repeat steps 1 to 4 as necessary to obtain maximum sensitivity.			

6. AUDIO ALIGNMENT PROCEDURES

(Selector switch in the "AUX" position)

Step	Signal Source Connection	Signal Frequency	Indicator Connection	Adjustment
1	AF oscillator to AUX jack	1 kHz	AC voltmeter in 30V range to speaker terminals.	Connect 8Ω load to speaker terminals. Adjust input signal so that output voltage at speaker terminal is 20V. Adjust RL23 (L-ch) or RL24 (R-ch) so that the Power L.E.D. Meter leading is 50W. (L.E.D. 5 point)

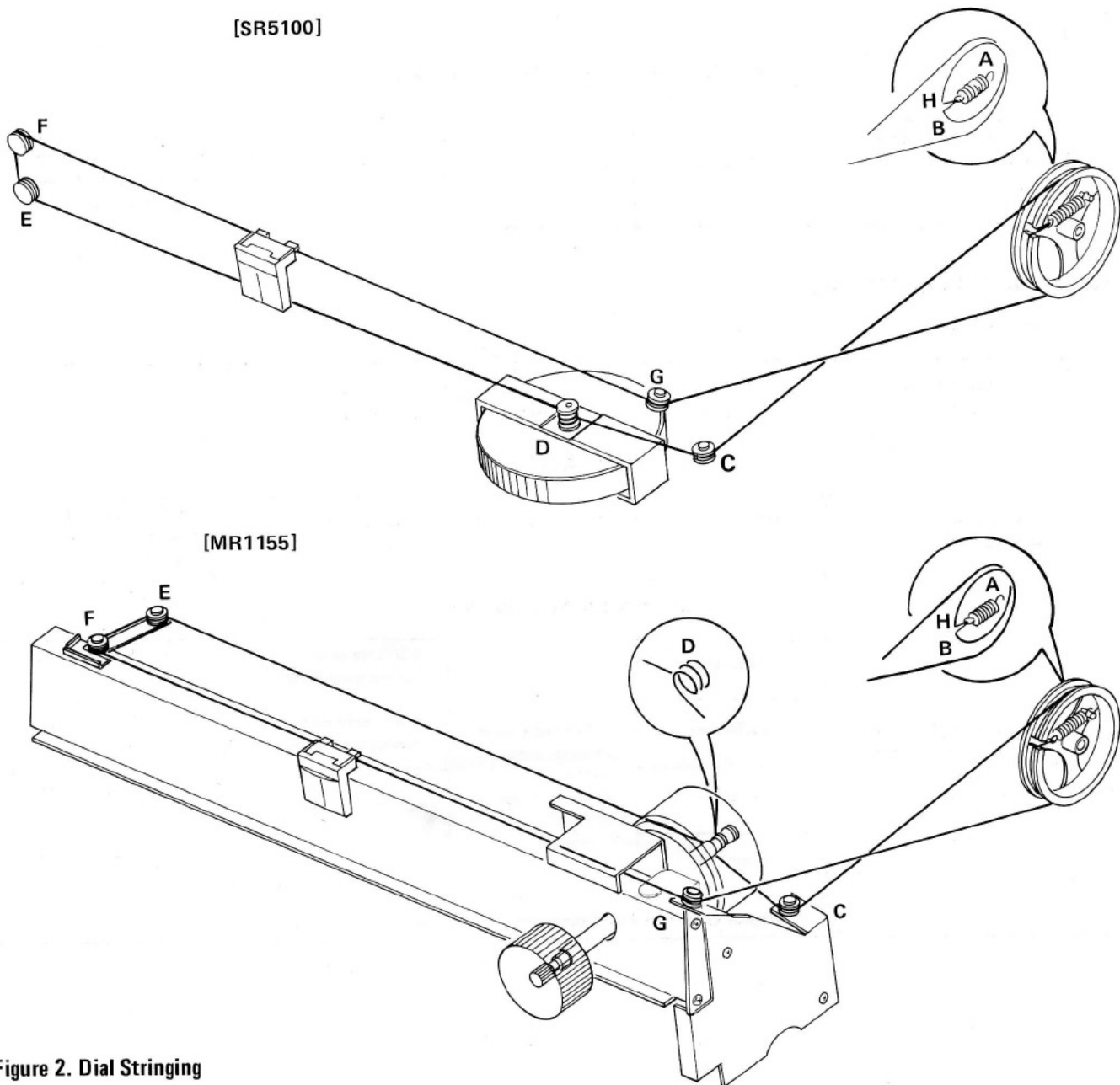
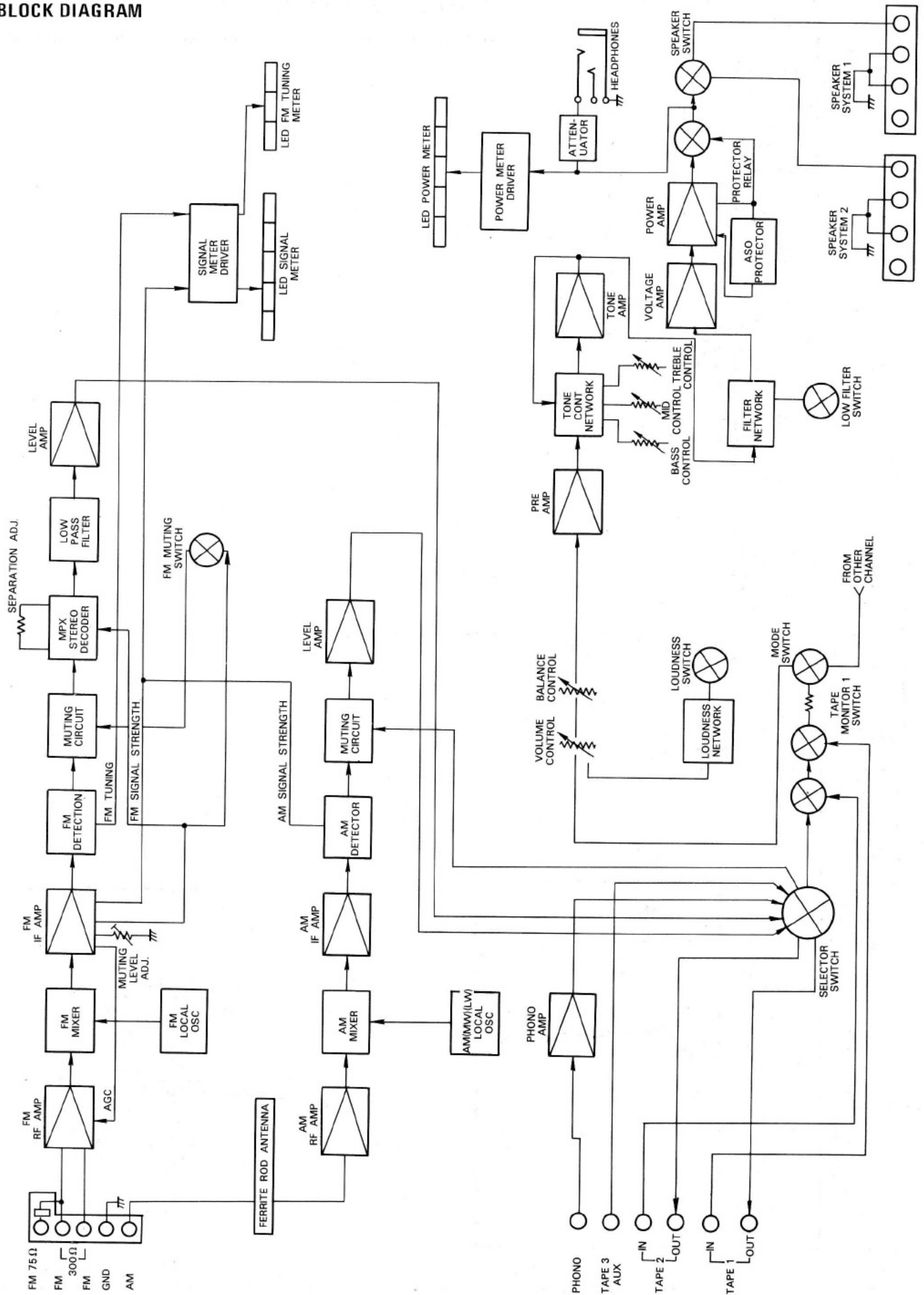
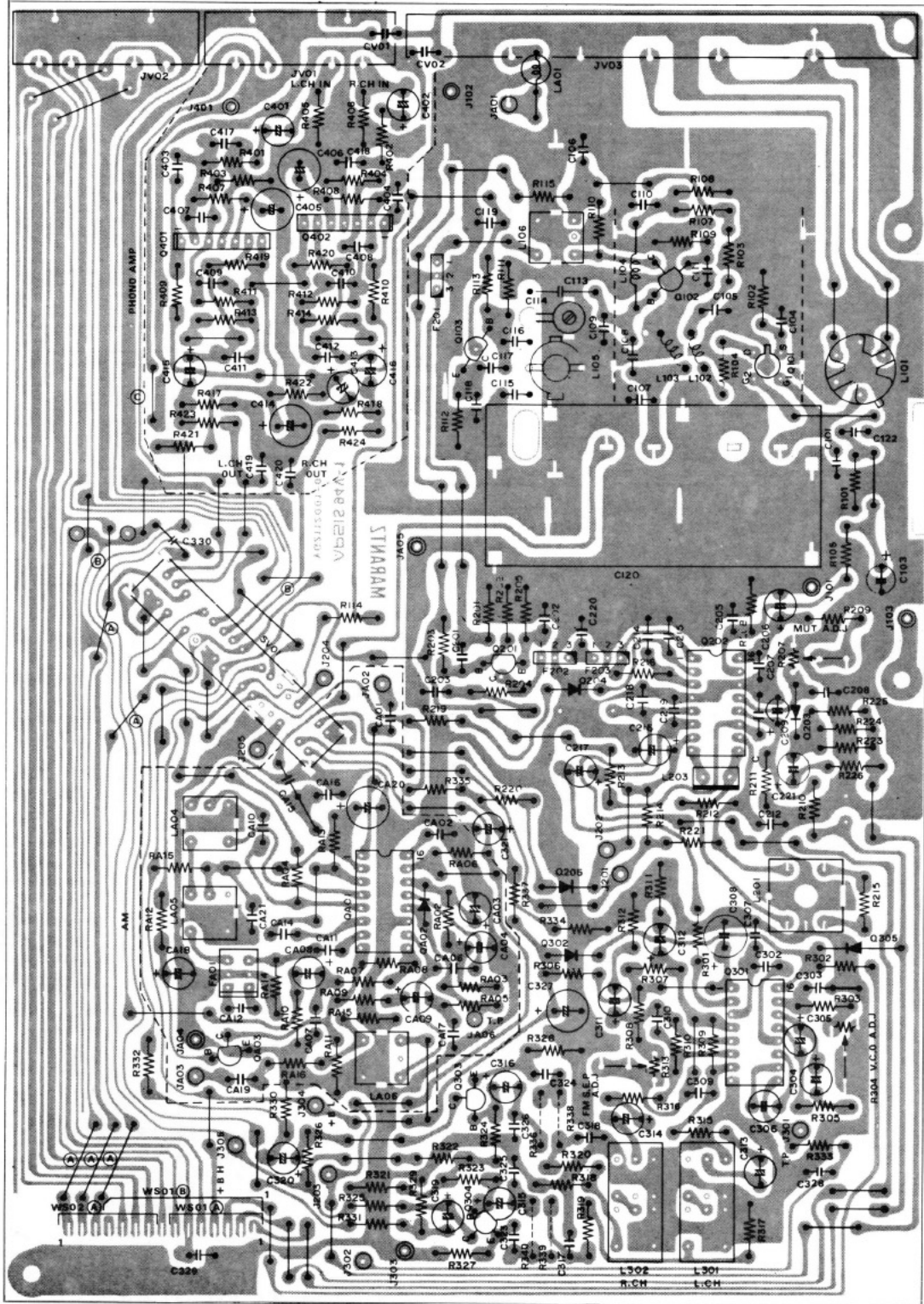


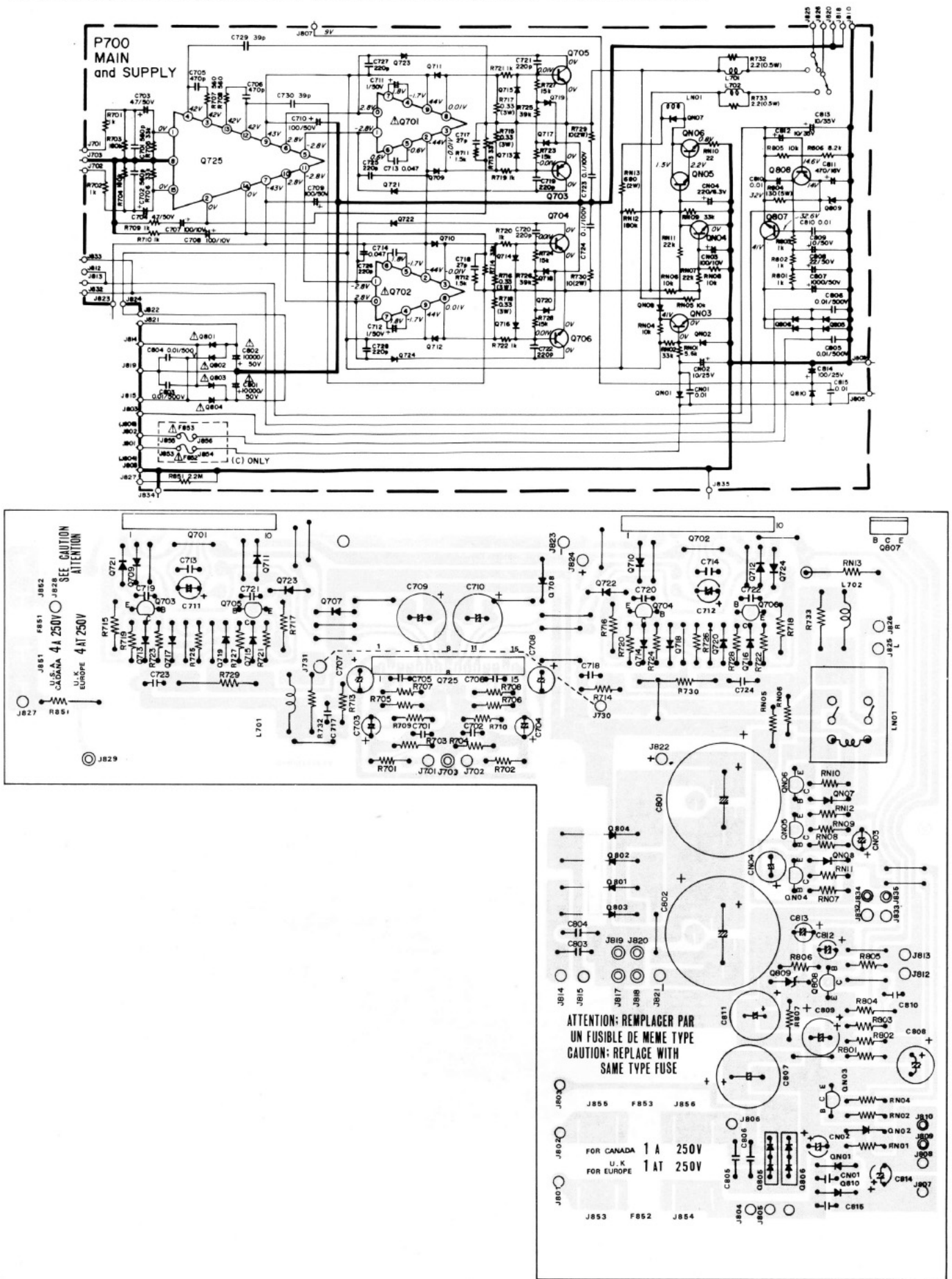
Figure 2. Dial Stringing

7. BLOCK DIAGRAM

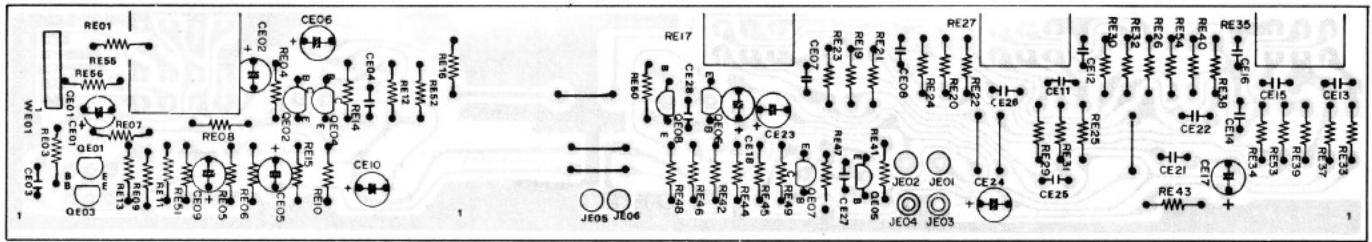
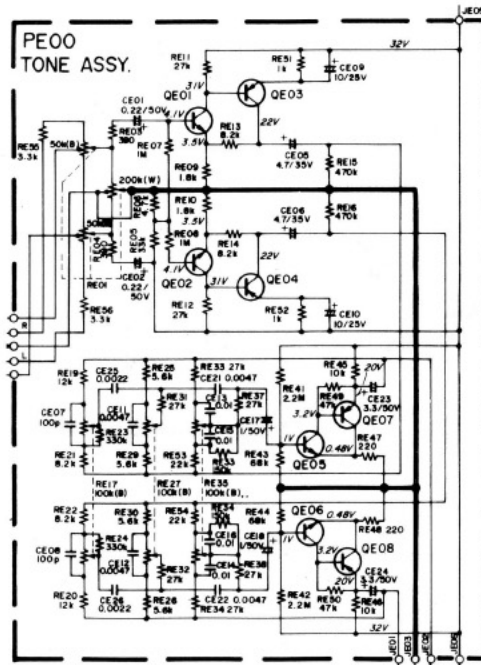




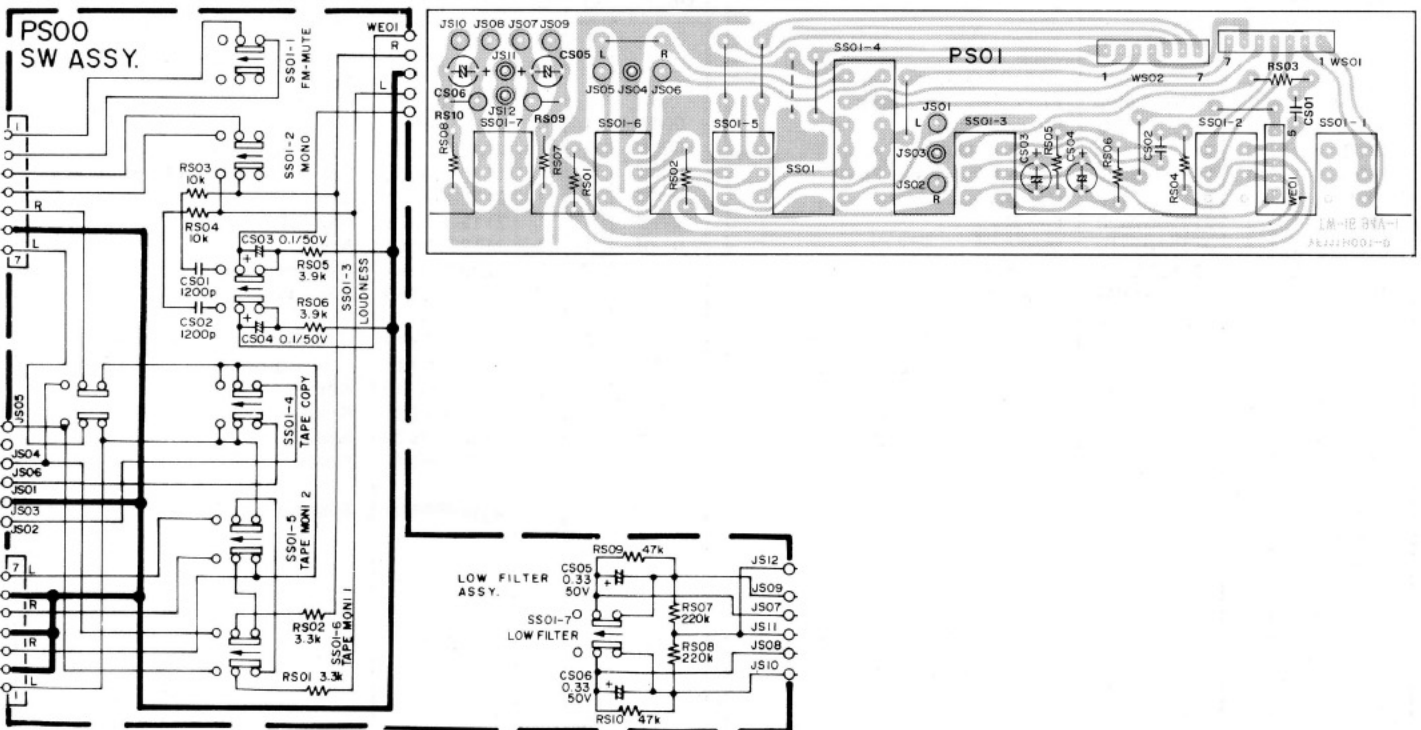
8.2 Main Amp/Power Supply Assembly (P700) Schematic Diagram and Component Locations



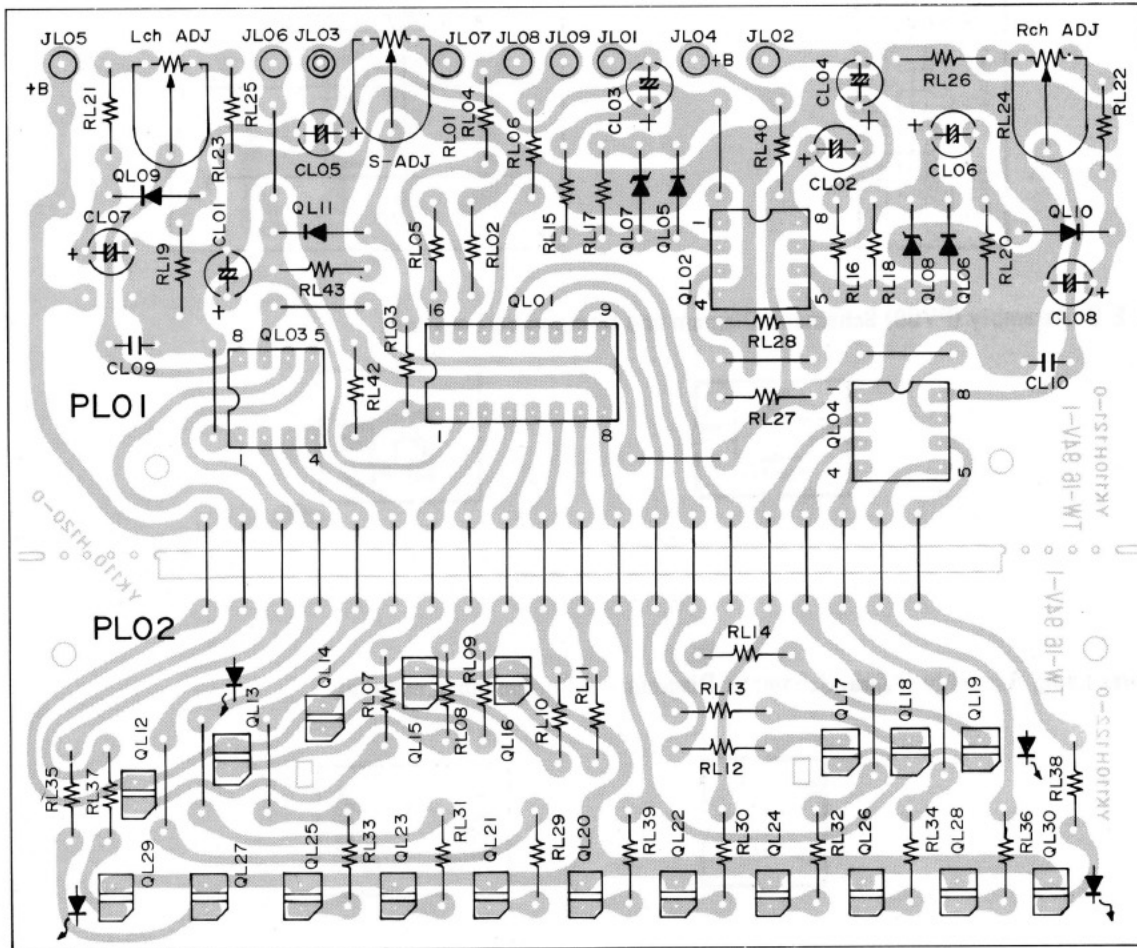
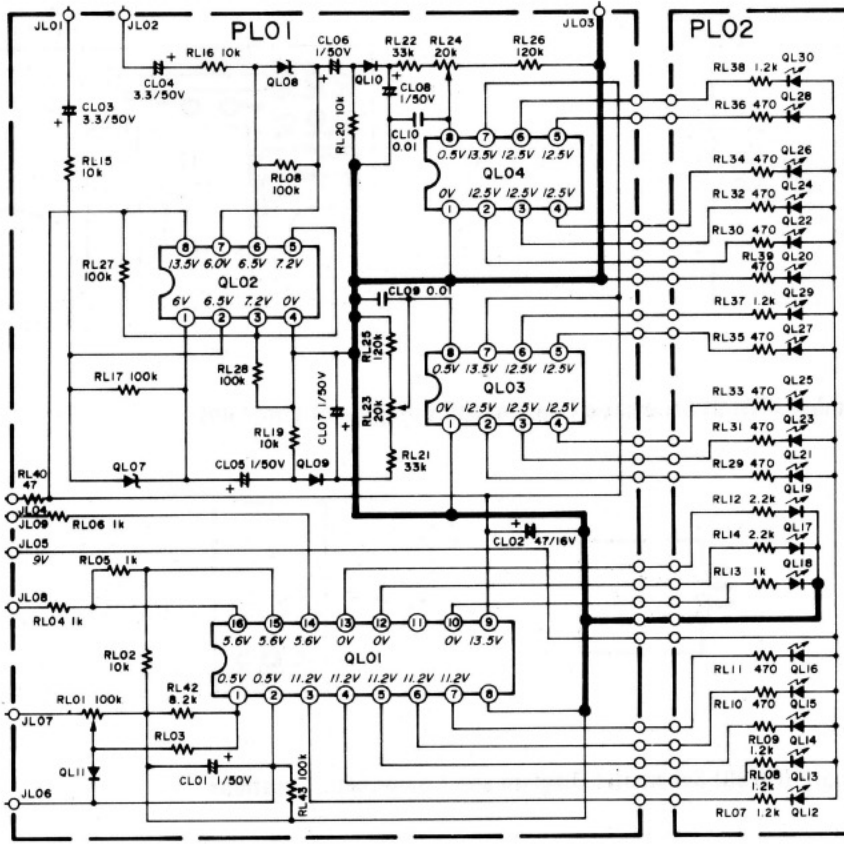
8.3 Tone Amp Assembly (PE00) Schematic Diagram and Component Locations



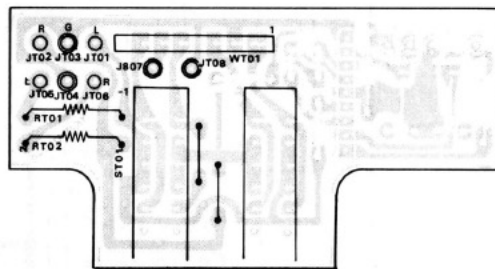
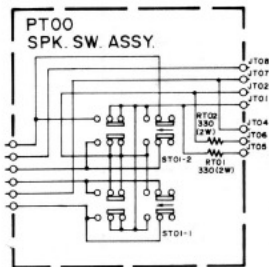
8.4 Push Switch Assembly (PS00) Schematic Diagram and Component Locations



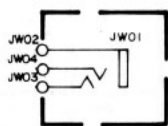
8.5 L.E.D. Drive and L.E.D. Assembly (PL01, PL02) Schematic Diagram and Component Locations



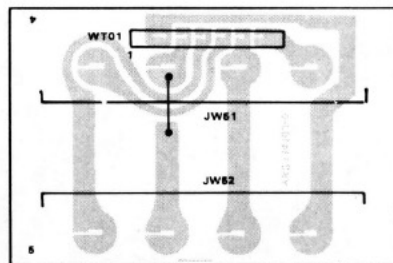
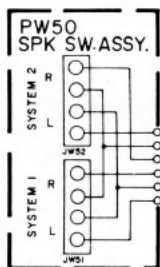
8.6 S.P.K. Switch Assembly (PT00) Schematic Diagram and Component Locations



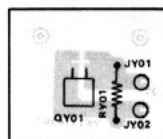
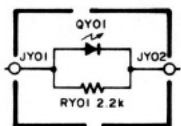
8.7 Headphone Jack Assembly (PW00) Schematic Diagram and Component Locations



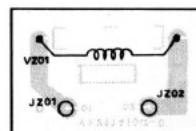
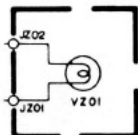
8.8 S.P.K. Terminal Assembly (PW50) Schematic Diagram and Component Locations



8.9 Stereo L.E.D. Assembly (PY00) Schematic Diagram and Component Locations

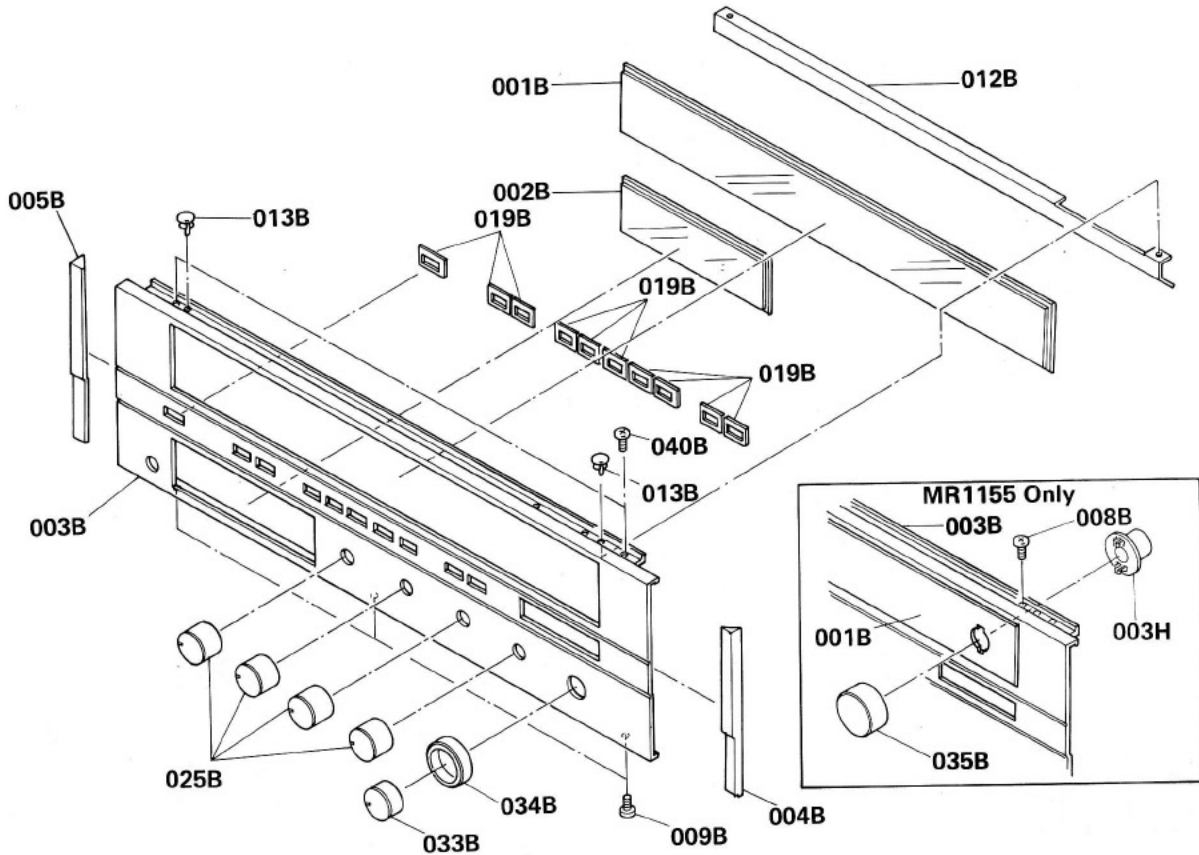


8.10 Dial Pointer Lamp Assembly (PZ00) Schematic Diagram and Component Locations



9. EXPLODED VIEW

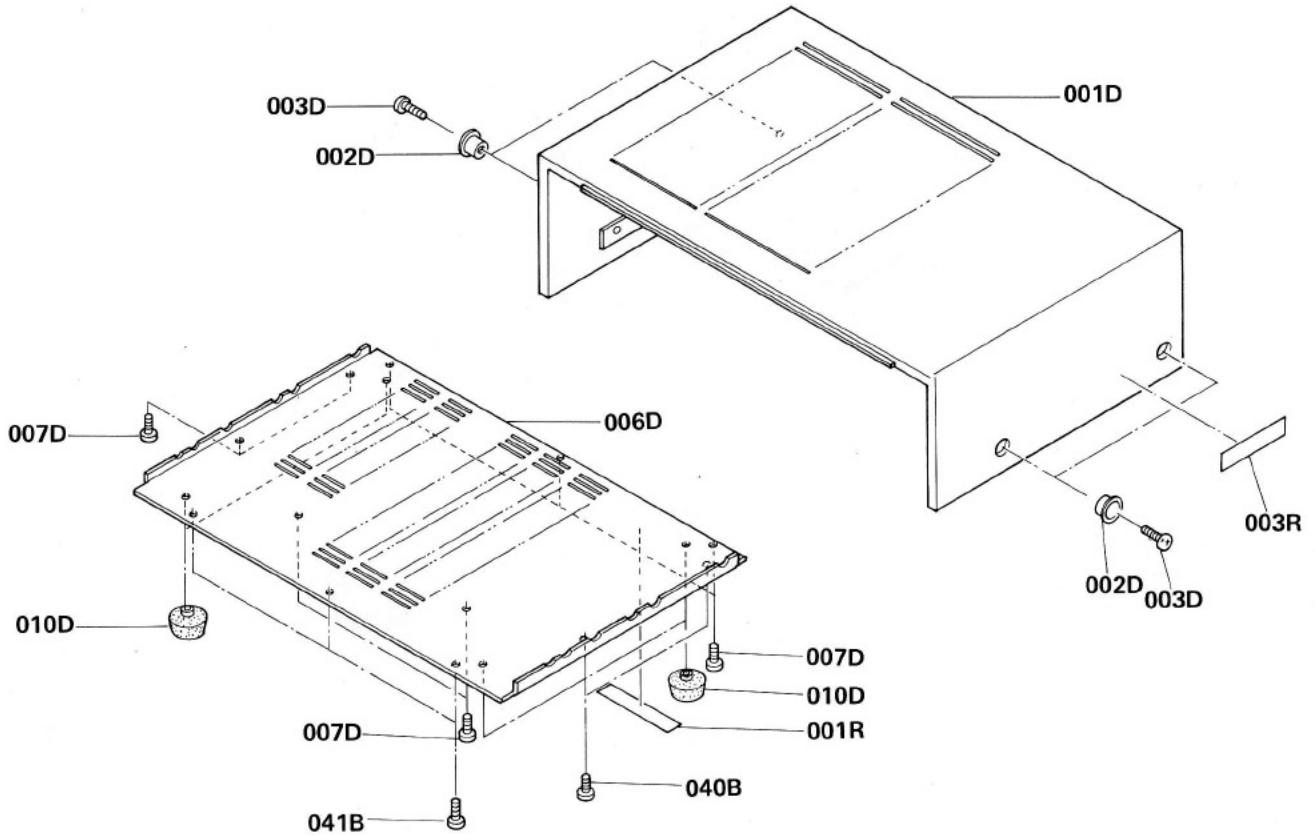
[C01-99] Front Panel



● (U): for U.S.A.
● (C): for Canada

REF. DESIG.	Q'TY		PART NO.	DESCRIPTION
	U	C		
A	1	1	111H063400	SR5100 Only Front Panel Assembly
001B	1	1	2112158110	Window, Dial
002B	1	1	2112158120	Window, Meter
003B	1	1	111H063010	Escutcheon, Front Panel
004B	1	1	2112067010	Cap (R)
005B	1	1	2112067020	Cap (L)
012B	1	1	2112303210	Mask
013B	2	2	2276005050	Clamper
019B	7	7	216H259010	Bushing

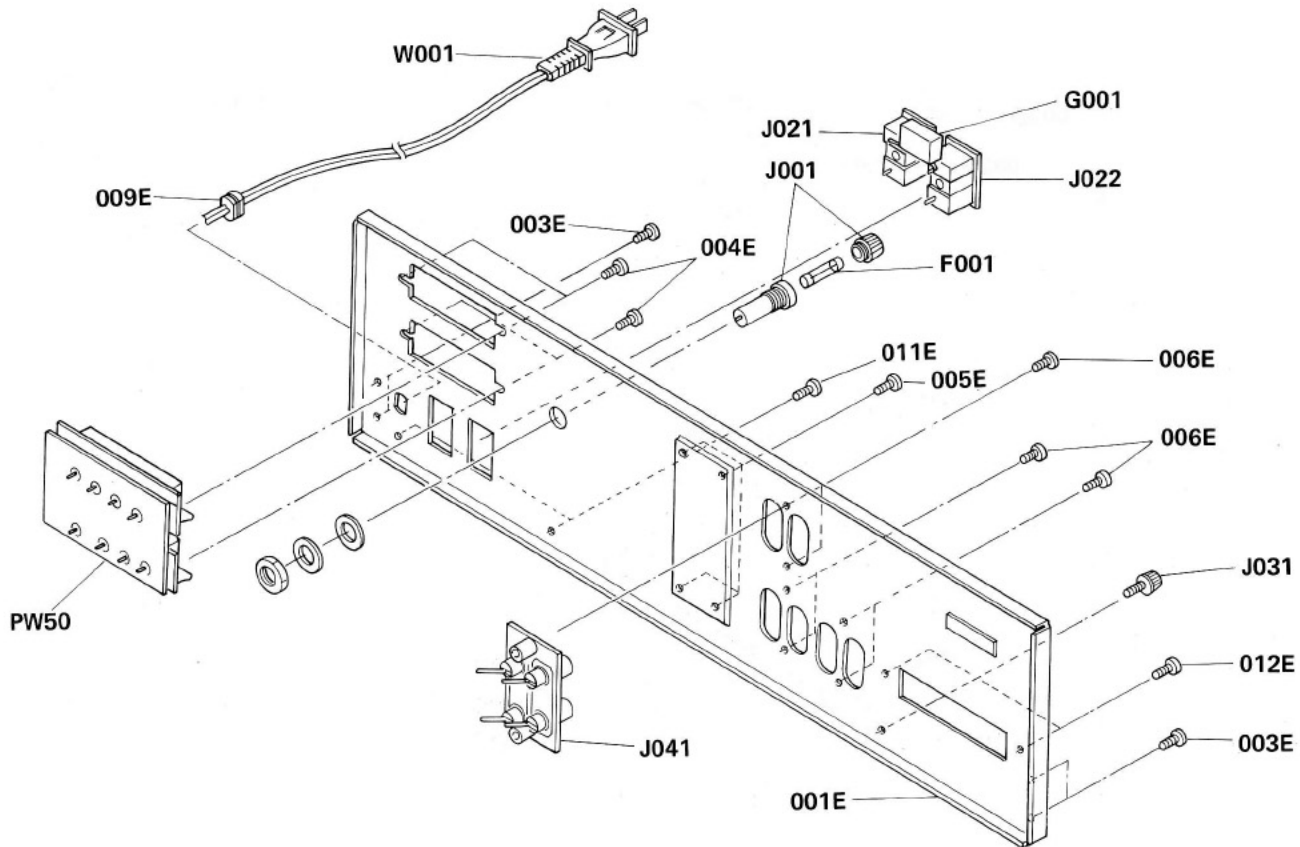
REF. DESIG.	Q'TY		PART NO.	DESCRIPTION
	U	C		
A	1	1	111H063410	MR1155 Only Front Panel Assembly
001B	1	1	2116158010	Window, Dial
002B	1	1	2112158020	Window, Meter
003B	1	1	111H063020	Escutcheon, Front Panel
004B	1	1	2112067010	Cap (R)
005B	1	1	2112067020	Cap (L)
012B	1	1	2112303210	Mask
013B	2	2	2276005050	Clamper
019B	7	7	216H259010	Bushing
008B	2	2	51280308B0	B.H. Tapped Screw B3 x 8
009B	2	2	51280308B0	B.H. Tapped Screw B3 x 8
025B	4	4	110H154010	Knob
033B	1	1	110H154020	Knob
034B	1	1	110H154030	Knob
035B	1	1	110H154040	Knob (MR1155 Only)
003H	1	1	2116259110	Bushing (MR1155 Only)



● (U): for U.S.A.
● (C): for Canada

REF. DESIG.	Q'TY		PART NO.	DESCRIPTION
	U	C		
040B	2	2	51100308A9	B.H.M. Screw B3 x 8
041B	3	3	51280308B0	B.H. Tapped Screw B3 x 8
001D	1	1	2114064710	Case
002D	4	4	3906259010	Bushing
003D	4	4	51280414U0	B.H. Tapped Screw B4 x 14
006D	1	1	2116257010	Lid, Bottom Cover
007D	12	12	51280410B0	B.H. Tapped Screw B4 x 10
010D	4	4	2259057010	Leg

REF. DESIG.	Q'TY		PART NO.	DESCRIPTION
	U	C		
001R	1	1	2578861010	Label (SR5100 Only)
001R	1	1	2911861110	Label (MR1155 Only)
003R	1	1	2932861110	Label (SR5100 Only)
003R	1	1	2911861140	Label (MR1155 Only)

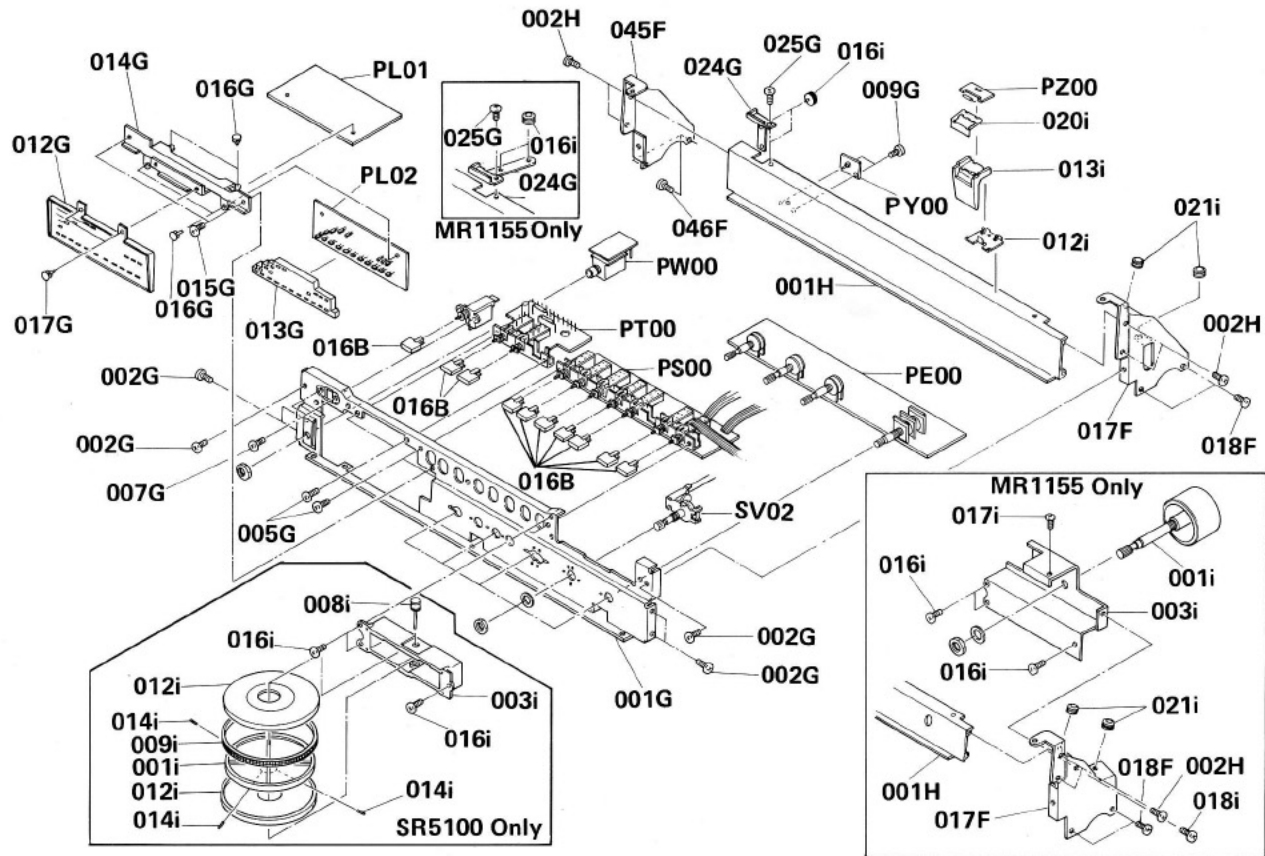


● (U): for U.S.A.
● (C): for Canada

REF. DESIG.	Q'TY		PART NO.	DESCRIPTION
	U	C		
001E	1		111H160210	Bracket, Rear Panel (SR5100 Only)
001E	1		111H160220	Bracket, Rear Panel (MR1155 Only)
001E		1	111H160230	Bracket, Rear Panel (SR5100 Only)
001E		1	111H160240	Bracket, Rear Panel (MR1155 Only)
003E	4	4	51280308U0	B.H. Tapped Screw B3 x 8
004E	4	4	51280308U0	B.H. Tapped Screw B3 x 8
005E	4	4	51280308U0	B.H. Tapped Screw B3 x 8
006E	6	6	51280308U0	B.H. Tapped Screw B3 x 8
009E	1	1	1455259030	Bushing
011E	2	2	51280308U0	B.H. Tapped Screw B3 x 8
012E	2	2	51280308U0	B.H. Tapped Screw B3 x 8
F001	1	1	FS10400500	Fuse 4A 250V

REF. DESIG.	Q'TY		PART NO.	DESCRIPTION
	U	C		
G001	1		DK18103530	Cap. 0.01μFM 125V
G001		1	DK18103530	Cap. 0.01μFM 125V
J001	1		YJ08000310	Jack, Fuse Holder
J001		1	YJ08000300	Jack, Fuse Holder
J021	1	1	YJ04000560	Jack, AC Outlet
J022	1	1	YJ04000560	Jack, AC Outlet
J031	1	1	YL0300140	Terminal, Ground
J041	1	1	YT02040420	Terminal
W001	1	1	YC01900070	A.C. Power Cord

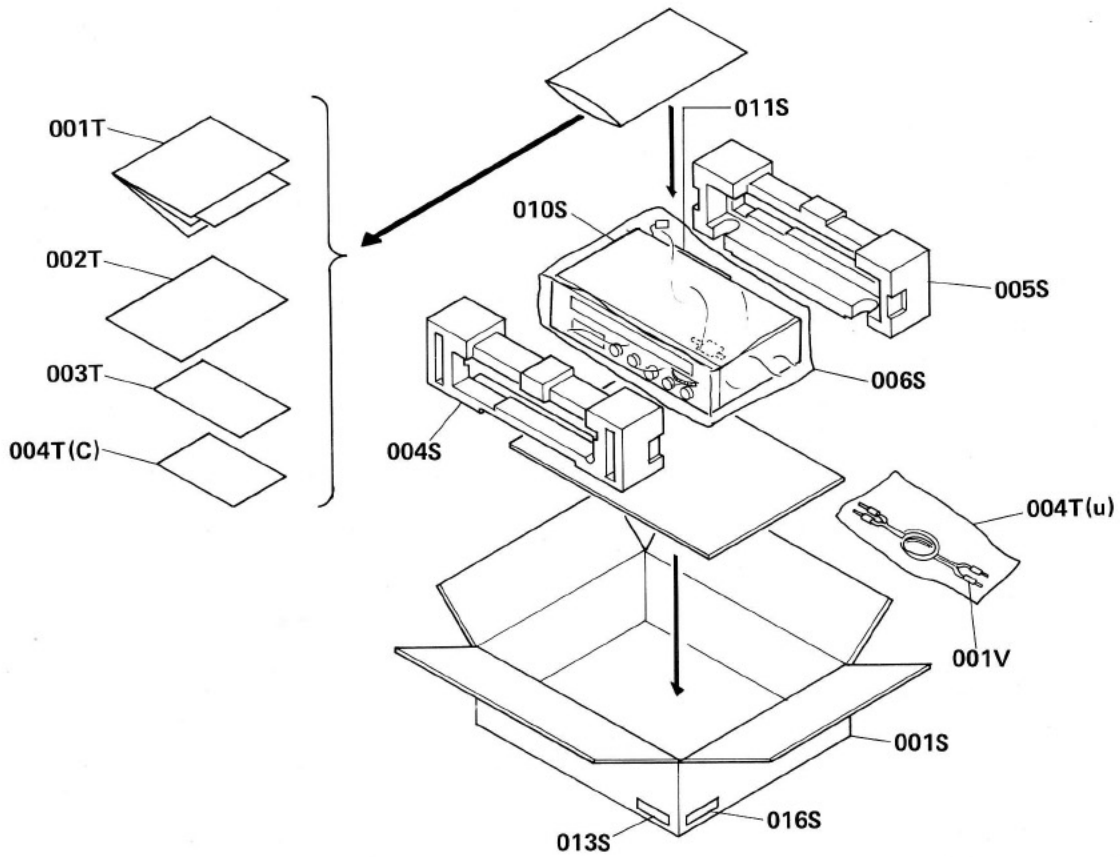
[P01-99] Front Chassis and General Parts



● (U): for U.S.A.
● (C): for Canada

REF. DESIG.	Q'TY		PART NO.	DESCRIPTION
	U	C		
016B	10	10	216H54010	Knob, Push SW.
017F	1	1	2116160050	Bracket (SR500 Only)
017F	1	1	2116160090	Bracket (MR1155 Only)
018F	1	1	51280308B0	B.H. Tapped Screw B3 x 8
045F	1	1	2116160060	Bracket (L)
046F	1	1	51280308B0	B.H. Tapped Screw B3 x 8
001G	1	1	101H160010	Bracket, Front Chassis
002G	6	6	51280308B0	B.H. Tapped Screw B3 x 8
005G	4	4	51100306A9	B.H.M. Screw B3 x 6
007G	2	2	51100306A9	B.H.M. Screw B3 x 6
009G	2	2	51282605B0	B.H.M. Screw B2.6 x 5
012G	1	1	111H265010	Indicator
013G	1	1	101H259010	Bushing
014G	1	1	110H160010	Bracket
015G	2	2	51280308B0	B.H. Tapped Screw B3 x 8
016G	4	4	2276005050	Clamper
017G	2	2	2276005050	Clamper
024G	1	1	2112160070	Bracket (SR500 Only)
024G	1	1	2116160110	Bracket (MR1155 Only)
025G	1	1	51280308B0	B.H. Tapped Screw B3 x 8
001H	1	1	2116302150	Dial (SR500 Only)
001H	1	1	21133302210	Dial (MR1155 Only)
002H	4	4	512803080B0	B.H. Tapped Screw B3 x 8

REF. DESIG.	Q'TY		PART NO.	DESCRIPTION
	U	C		
001i	1	1	2219273010	Flywheel Assembly (SR500 Only)
003i	1	1	2112104500	Retainer (SR500 Only)
008i	1	1	2119112010	Shaft (SR500 Only)
009i	1	1	2215353010	Ring (SR500 Only)
012i	2	2	2219063230	Escutcheon (SR500 Only)
014i	3	3	5169030609	Socket Screw. HP (SR500 Only)
016i	3	3	51280308B0	B.H. Tapped Screw (SR500 Only)
001i	1	1	2116273500	Flywheel (MR1155 Only)
003i	1	1	2115150100	Bracket (MR1155 Only)
016i	3	3	51280308B0	B.H. Tapped Screw B3 x 8 (MR1155 Only)
017i	1	1	51280308B0	B.H. Tapped Screw B3 x 8 (MR1155 Only)
018i	1	1	51280308B0	B.H. Tapped Screw B3 x 8 (MR1155 Only)
012i	1	1	2112103010	Pointer
013i	1	1	2112103020	Pointer
016i	2	2	2276262500	Pulley (K)
020i	1	1	2112303030	Mask
021i	2	2	2276262500	Pulley (K)
S001	1	1	SP01010240	Push Switch, Power
SV02	1	1	SR00040030	Rotary Switch



● (U): for U.S.A.
● (C): for Canada

REF. DESIG.	Q'TY		PART NO.	DESCRIPTION
	U	C		
001S	1	1	111H801010	Packing Case (SR5100 Only)
001S	1	1	111H801020	Packing Case (MR1155 Only)
004S	1	1	2112809010	Cushion
005S	1	1	2112809020	Cushion
006S	1	1	9090909040	Polyethylene
010S	1	1	2918107260	Sheet
011S	1	1	2918107380	Sheet
013S	2		9526019010	Serial No. Card
013S		4	9526019020	Serial No. Card
016S	2		9510901020	Label

REF. DESIG.	Q'TY		PART NO.	DESCRIPTION
	U	C		
001T	1	1	110H851210	Instruction
002T	1	1	111H851220	Instruction (SR5100 Only)
002T	1	1	111H851250	Instruction (MR1155 Only)
003T	1		28188540201	Guarantee Card
003T		1	2818854040	Guarantee Card
004T	1		2225813010	Envelope
004T		1	9650000050	S. Station Card
001V	1	1	ZA02000070	Extension Antenna

10. ELECTRICAL PARTS

● (U): for U.S.A.
● (C): for Canada

REF. DESIG.	Q'TY		PART NO.	DESCRIPTION	REF. DESIG.	Q'TY		PART NO.	DESCRIPTION
	U	C				U	C		
P100	1	1	YG21120010	P100-TUNER CIRCUIT BOARD P.W. Board, Tuner/Phone	C215	1	1	DK18403320	Ceramic 0.04μF +80%—20%
	1	1	ZZ111H0010	P.W. Board Assembly	C216	1	1	EA47405030	Elect 0.47μF 50V
CA01	1	1	DK18103320	P100-CAPACITORS Ceramic 0.01μF +80%—20%	C217	1	1	EA10602530	Elect 10μF 25V
CA02	1	1	DK18103320	Ceramic 0.01μF +80%—20%	C218	1	1	EA10601690	Elect 10μF 16V
CA03	1	1	EA10601690	Elect 10μF 16V	C219	1	1	DD15151370	Ceramic 150pF ±5%
CA04	1	1	EA10602530	Elect 10μF 25V	C222	1	1	DK18403320	Ceramic 0.047μF
CA05	1	1	DK18103320	Ceramic 0.01μF +80%—20%	C302	1	1	DF17473300	Film 0.047μF±20%
CA06	1	1	DK18103320	Ceramic 0.01μF +80%—20%	C303	1	1	DF55471090	Film 470pF ±5%
CA07	1	1	DF17103300	Film 0.01μF ±20%	C304	1	1	EA33505090	Elect 3.3μF 50V
CA08	1	1	EA33405030	Elect 0.33μF 50V	C305	1	1	EA22505030	Elect 2.2μF 50V
CA09	1	1	EA33505090	Elect 3.3μF 50V	C306	1	1	EQ22405030	Elect 0.22μF ±20%
CA10	1	1	DK18103320	Ceramic 0.01μF +80%—20%	C307	1	1	DD15471360	Ceramic 470pF ±5%
CA11	1	1	DK18103320	Ceramic 0.01μF +80%—20%	C308	1	1	EA22701690	Elect 220μF 16V
CA12	1	1	DK15470370	Ceramic 47pF ±5%	C309	1	1	DD15470370	Ceramic 47pF ±5%
CA14	1	1	DK18103320	Ceramic 0.01μF +80%—20%	C310	1	1	DD15470370	Ceramic 47pF ±5%
CA15	1	1	DF55361090	Film 360pF ±5%	C311	1	1	EA10602530	Elect 10μF 25V
CA16	1	1	DD11100400	Ceramic 10pF ±0.5pF	C312	1	1	EA10601690	Elect 10μF 16V
CA17	1	1	DK18103320	Ceramic 0.01μF +80%—20%	C313	1	1	EA10602530	Elect 10μF 25V
CA18	1	1	EA22601690	Elect 22μF 16V	C314	1	1	EA10602530	Elect 10μF 25V
CA20	1	1	EA22601690	Elect 22μF 16V	C315	1	1	EA47405030	Elect 0.47μF 50V
CA21	1	1	DK18223320	Ceramic 0.022μF+80%—20%	C316	1	1	EA47405030	Elect 0.47μF 50V
CA22	1	1	DD11070300	Ceramic 7pF	C317	1	1	DF16272300	Film 2700pF ±10%
CV01	1	1	DK18103320	Ceramic 0.01μF +80%—20%	C318	1	1	DF16272300	Film 2700pF ±10%
CV02	1	1	DK18103320	Ceramic 0.01μF +80%—20%	C319	1	1	EA47405030	Elect 0.47μF 50V
C101	1	1	DD11100300	Ceramic 10pF ±0.5pF	C320	1	1	EA47405030	Elect 0.47μF 50V
C103	1	1	EA33405030	Elect 0.33μF 50V	C321	1	1	EA47502590	Elect 4.7μF 25V
C104	1	1	DK18103320	Ceramic 0.01μF +80%—20%	C327	1	1	EA47601690	Elect 47μF 16V
C105	1	1	DK18103320	Ceramic 0.01μF +80%—20%	C328	1	1	DK18403320	Ceramic 0.04μF +80%—20%
C106	1	1	DK18223320	Ceramic 0.022μF+80%—20%	C329	1	1	DK18403320	Ceramic 0.04μF +80%—20%
C107	1	1	DD15150300	Ceramic 15pF ±5%	C330	1	1	DK18403320	Ceramic 0.04μF +80%—20%
C108	1	1	DD10050370	Ceramic 5pF ±0.25pF	C401	1	1	EA33505030	Elect 3.3μF 50V
C109	1	1	DD15150370	Ceramic 15pF ±5%	C402	1	1	EA33505030	Elect 3.3μF 50V
C110	1	1	DD15301360	Ceramic 300pF ±5%	C403	1	1	DD15470370	Ceramic 47pF ±5%
C111	1	1	DK18103320	Ceramic 0.01μF +80%—20%	C404	1	1	DD15470370	Ceramic 47pF ±5%
C113	1	1	DD10010300	Ceramic 1pF ±0.25pF	C405	1	1	EA10701090	Elect 100μF 10V
C114	1	1	CT11000080	Trimming 10pF ±0.5pF	C406	1	1	EA10701090	Elect 100μF 10V
C115	1	1	DD15150340	Ceramic 15pF ±5%	C407	1	1	DK16221300	Ceramic 220pF ±5%
C116	1	1	DD11100300	Ceramic 10pF ±0.5pF	C408	1	1	DF16221300	Ceramic 220pF ±5%
C117	1	1	DD15300300	Ceramic 30pF ±5%	C409	1	1	DF16123350	Film 0.012μF±10%
C118	1	1	DD15150300	Ceramic 15pF ±5%	C410	1	1	DF16123350	Film 0.012μF±10%
C119	1	1	DK18223320	Ceramic 0.022μF+80%—20%	C411	1	1	DF16332300	Film 0.0033μF ±10%
C120	1	1	CA32400100	Variable, FM-3, AM-2	C412	1	1	DF16332300	Film 0.0033μF ±10%
C122	1	1	DK18103320	Ceramic 0.01μF +80%—20%	C413	1	1	EA10505030	Elect 1μF 50V
C201	1	1	DK18103320	Ceramic 0.01μF +80%—20%	C414	1	1	EA10603590	Elect 10μF 35V
C202	1	1	DK18223320	Ceramic 0.022μF+80%—20%	C415	1	1	EA10505030	Elect 1μF 50V
C203	1	1	DK18403320	Ceramic 0.04μF +80%—20%	C416	1	1	EA10505030	Elect 1μF 50V
C205	1	1	DK18403320	Ceramic 0.04μF +80%—20%	C417	1	1	DK16221300	Ceramic 220pF ±10%
C206	1	1	EA22505030	Elect 2.2μF 50V	C418	1	1	DK16221300	Ceramic 220pF ±10%
C207	1	1	DK18403320	Ceramic 0.04μF +80%—20%	RA02	1	1	GD05103140	10kΩ
C208	1	1	DK18403320	Ceramic 0.04μF +80%—20%	RA03	1	1	GD05103140	10kΩ
C209	1	1	EA10505030	Elect 1μF 50V	RA04	1	1	GD05223140	22kΩ
C210	1	1	DK18403320	Ceramic 0.04μF +80%—20%	RA05	1	1	GD05222140	2.2kΩ
C212	1	1	DK18403320	Ceramic 0.04μF +80%—20%	RA06	1	1	GD05121140	120Ω
C214	1	1	DK18403320	Ceramic 0.04μF +80%—20%	RA07	1	1	GD05102140	1kΩ
					RA08	1	1	GD05563140	56kΩ
					RA09	1	1	GD05273140	27kΩ
					RA10	1	1	GD05104140	100kΩ
					RA11	1	1	GD05333140	33kΩ

P100-RESISTORS
(All Resistors are ±5% and ¼W)

● (U): for U.S.A.
● (C): for Canada

REF. DESIG.	Q'TY		PART NO.	DESCRIPTION
	U	C		
RA12	1	1	GD05104140	100kΩ
RA13	1	1	GD05152140	1.5kΩ
RA14	1	1	GD05222140	2.2kΩ
RA15	1	1	GD05470140	47Ω
RA18	1	1	GD05473140	47kΩ
RA19	1	1	GD05222140	2.2kΩ
R101	1	1	GD05104140	100kΩ
R102	1	1	GD05680140	68Ω
R103	1	1	GD05101140	100Ω
R104	1	1	GD05101140	100Ω
R105	1	1	GD05223140	22kΩ
R107	1	1	GD05223140	22kΩ
R108	1	1	GD05472140	4.7kΩ
R109	1	1	GD05102140	1kΩ
R110	1	1	GD05183140	18kΩ
R111	1	1	GD05103140	10kΩ
R112	1	1	GD05272140	2.7kΩ
R113	1	1	GD05103140	10kΩ
R114	1	1	GD05101140	100Ω
R115	1	1	GD05470140	47Ω
R201	1	1	GD05331140	330Ω
R202	1	1	GD05272140	2.7kΩ
R203	1	1	GD05153140	15kΩ
R204	1	1	GD05331140	330Ω
R205	1	1	GD05561140	560Ω
R207	1	1	RA05030090	50kΩ (B) Trimming
R208	1	1	GD05104140	100kΩ
R209	1	1	GD05103140	10kΩ
R210	1	1	GD05222140	2.2kΩ
R211	1	1	GD05124140	120kΩ
R212	1	1	GD05682140	6.8kΩ
R213	1	1	GD05470140	47Ω
R214	1	1	GD05103140	10kΩ
R215	1	1	GD05332140	3.3kΩ
R216	1	1	GD05331140	330Ω
R219	1	1	GD05154140	150kΩ
R220	1	1	GD05274140	270kΩ
R221	1	1	GD05682140	6.8kΩ
R227	1	1	GD05473140	47kΩ
R301	1	1	GD05473140	47kΩ
R302	1	1	GD05222140	2.2kΩ
R303	1	1	GD05153140	15kΩ
R304	1	1	RA05020160	5kΩ (B) Trimming
R305	1	1	GD05102140	1kΩ
R306	1	1	GD05101140	100Ω
R307	1	1	GD05223140	22kΩ
R308	1	1	GD05223140	22kΩ
R309	1	1	GD05473140	47kΩ
R310	1	1	GD05473140	47kΩ
R311	1	1	GD05393140	39kΩ
R312	1	1	GD05393140	39kΩ
R313	1	1	RA05040090	500kΩ (B) Trimming
R315	1	1	GD05472140	4.7kΩ
R316	1	1	GD05472140	4.7kΩ
R317	1	1	GD05472140	4.7kΩ
R318	1	1	GD05472140	4.7kΩ

REF. DESIG.	Q'TY		PART NO.	DESCRIPTION
	U	C		
R319	1	1	GD05273140	27kΩ
R320	1	1	GD05273140	27kΩ
R321	1	1	GD05473140	47kΩ
R322	1	1	GD05184140	180kΩ
R323	1	1	GD05564140	560kΩ
R324	1	1	GD05564140	560kΩ
R325	1	1	GD05392140	3.9kΩ
R326	1	1	GD05392140	3.9kΩ
R327	1	1	GD05821140	820Ω
R328	1	1	GD05821140	820Ω
R329	1	1	GD05473140	47kΩ
R330	1	1	GD05473140	47kΩ
R331	1	1	GD05101140	100Ω
R332	1	1	GD05101140	100Ω
R333	1	1	GD05272140	2.7kΩ
R334	1	1	GD05103140	10kΩ
R335	1	1	GD05222140	2.2kΩ
R337	1	1	GD05222140	2.2kΩ
R401	1	1	GD05222140	2.2kΩ
R402	1	1	GD05222140	2.2kΩ
R403	1	1	GD05471140	470Ω
R404	1	1	GD05471140	470Ω
R405	1	1	GD05563140	56kΩ
R406	1	1	GD05563140	56kΩ
R407	1	1	GD05394140	390kΩ
R408	1	1	GD05394140	390kΩ
R409	1	1	GD05184140	180kΩ
R410	1	1	GD05184140	180kΩ
R411	1	1	GD05274140	270kΩ
R412	1	1	GD05274140	270kΩ
R413	1	1	GD05223140	22kΩ
R414	1	1	GD05223140	22kΩ
R417	1	1	GD05224140	220kΩ
R418	1	1	GD05224140	220kΩ
R419	1	1	GD05223140	22kΩ
R420	1	1	GD05223140	22kΩ
R421	1	1	GG05220140	22Ω
R422	1	1	GD05184140	180kΩ
R423	1	1	GD05471140	470Ω
R424	1	1	GD05471140	470Ω
QA01	1	1	HC10025060	IC μPC1178C
QA02	1	1	HV00006120	Varistor MV-203
QA03	1	1	HT326342B0	Transistor 2SC2634(S or T)
QA04	1	1	HD20001210	Diode IS2473
Q101	1	1	HF400451B0	F.E.T. 3SK45(B)
Q102	1	1	HT310471C0	Transistor 2SC1047(C)
Q103	1	1	HT308291C0	Transistor 2SC829(C)
Q201	1	1	HT308291C0	Transistor 2SC829(C)
Q202	1	1	HC10028030	IC LA1231
Q203	1	1	HD20001210	Diode IS2473
Q204	1	1	HD20001210	Diode IS1555
Q205	1	1	HD20001210	Diode IS2473
Q301	1	1	HC10024060	IC μPC1161C
Q302	1	1	HD20001210	Diode IS1555

P100-SEMICONDUCTORS

● (U): for U.S.A.
● (C): for Canada

REF. DESIG.	Q'TY		PART NO.	DESCRIPTION
	U	C		
Q303	1	1	HT326342B0	Transistor 2SC2634(S or T)
Q304	1	1	HT326342B0	Transistor 2SC2634(S or T)
Q305	1	1	HD20001210	Diode IS1555
Q401	1	1	HC10012060	IC μ PC1024H
Q402	1	1	HC10012060	IC μ PC1024H
P100-MISCELLANEOUS				
FA01	1	1	FF10045200	Ceramic Filter 450kHz
F201	1	1	FF11070050	Ceramic Filter 10.7MD1
F202	1	1	FF11070050	Ceramic Filter 10.7MD1
F203	1	1	FF11070050	Ceramic Filter 10.7MD1
JV01	1	1	YT02040360	Terminal, RCA Phono/Aux
JV02	1	1	YT02040360	Terminal, RCA Tape, In/Out
JV03	1	1	YT01050010	Terminal, Antenna
LA01	1	1	LC11540020	Choke Coil 150 μ H
LA04	1	1	LO10010480	OSC Coil
LA05	1	1	LI10010730	I.F.T. 450kHz
LA06	1	1	LI10010740	I.F.T. 450kHz
L101	1	1	LA12026170	Ant. Coil
L102	1	1	LL24800030	Coil
L103	1	1	LK11800030	Coil
L104	1	1	LC17510010	Choke Coil 0.75 μ H
L105	1	1	LO12036010	OSC Coil
L106	1	1	LI10016010	I.F.T.
L201	1	1	LI14016240	I.F.T.
L203	1	1	LC11830010	Choke Coil 18 μ H
L301	1	1	LS20013010	M.P.X. Coil
L302	1	1	LS20013010	M.P.X. Coil
KS00	1	1	SR04040150	Rotary Switch, Selector
P700-MAIN AMP./POWER SUPPLY CIRCUIT BOARD				
P700	1	1	YK211410B0	P.W. Board, Main Amp./Power Supply
	1	1	ZZ111H10B0	P.W. Board Assembly
	1	1	ZZ111H20B0	P.W. Board Assembly
P700-CAPACITORS				
CN01	1	1	DK18103320	Ceramic 0.01 μ F +80%—20%
CN02	1	1	EA10605030	Elect 10 μ F 25V
CN03	1	1	EA10701030	Elect 100 μ F 10V
CN04	1	1	EA33700690	Elect 330 μ F 6.3V
C701	1	1	DK16561300	Ceramic 560pF \pm 10%
C702	1	1	DK16561300	Ceramic 560pF \pm 10%
C703	1	1	EA47505030	Elect 4.7 μ F 50V
C704	1	1	EA47505030	Elect 4.7 μ F 50V
C707	1	1	EA10701030	Elect 100 μ F 10V
C708	1	1	EA10701030	Elect 100 μ F 10V
C709	1	1	EA10705090	Elect 100 μ F 50V
C710	1	1	EA10705090	Elect 100 μ F 50V
C713	1	1	DF17473300	Film 0.047 μ F \pm 20%
C714	1	1	DF17473300	Film 0.047 μ F \pm 20%
C717	1	1	DD10050370	Ceramic 5pF \pm 0.25pF
C718	1	1	DD10050370	Ceramic 5pF \pm 0.25pF
C719	1	1	DK16332300	Ceramic 3300pF \pm 10%
C720	1	1	DK16332300	Ceramic 3300pF \pm 10%
C721	1	1	DK16332300	Ceramic 3300pF \pm 10%
C722	1	1	DK16332300	Ceramic 3300pF \pm 10%
C723	1	1	DF17104540	Film 0.1 μ F \pm 20%
C724	1	1	DF17104540	Film 0.1 μ F \pm 20%
C725	1	1	DD11100550	Ceramic 10pF
C726	1	1	DD11100550	Ceramic 10pF

REF. DESIG.	Q'TY		PART NO.	DESCRIPTION
	U	C		
C727	1	1	DD11100550	Ceramic 10pF \pm 0.5pF
C728	1	1	DD11100550	Ceramic 10pF \pm 0.5pF
C729	1	1	DD15390370	Ceramic 39pF \pm 5%
C730	1	1	DD15390370	Ceramic 39pF \pm 5%
C731	1	1	DD11100370	Ceramic 10pF \pm 0.5pF
C732	1	1	DD11100370	Ceramic 10pF \pm 0.5pF
C801	1	1	EB10905020	Elect 1000 μ F 50V
C802	1	1	EB10905020	Elect 1000 μ F 50V
C803	1	1	DK18103510	Ceramic 0.01 μ F +80%—20%
C804	1	1	DK18103510	Ceramic 0.01 μ F +80%—20%
C805	1	1	DK18103510	Ceramic 0.01 μ F +80%—20%
C806	1	1	DK18103510	Ceramic 0.01 μ F +80%—20%
C807	1	1	EA10805030	Elect 10000 μ F 50V
C808	1	1	EA22605090	Elect 10 μ F 50V
C809	1	1	EA10605030	Elect 10 μ F 50V
C810	1	1	DK18103320	Ceramic 0.01 μ F +80%—20%
C811	1	1	EA47701690	Elect 470 μ F 16V
C812	1	1	EA10603590	Elect 10 μ F 35V
C813	1	1	EA10605030	Elect 10 μ F 50V
C814	1	1	EA10605030	Elect 10 μ F 50V
C815	1	1	DK18103320	Ceramic 0.01 μ F +80%—20%
P700-RESISTORS (All Resistors are \pm 5% and $\frac{1}{4}$ W)				
RN01	1	1	GD05472140	4.7k Ω
RN02	1	1	GD05333140	33k Ω
RN04	1	1	GD05103140	10k Ω
RN05	1	1	GD05103140	10k Ω
RN06	1	1	GD05103140	10k Ω
RN07	1	1	GD05223140	22k Ω
RN08	1	1	GD05103140	10k Ω
RN09	1	1	GD05333140	33k Ω
RN10	1	1	GG05220140	22 Ω
RN11	1	1	GD05223140	22k Ω
RN12	1	1	GD05184140	180k Ω
RN13	1	1	GA05681020	680 Ω 2W
R701	1	1	GD05102140	1k Ω
R702	1	1	GD05102140	1k Ω
R703	1	1	GD05184140	180k Ω
R704	1	1	GD05184140	180k Ω
R705	1	1	GD05333140	33k Ω
R706	1	1	GD05333140	33k Ω
R709	1	1	GD05102140	1k Ω
R710	1	1	GD05102140	1k Ω
R713	1	1	GD05333140	33k Ω
R714	1	1	GD05333140	33k Ω
R715	1	1	GN10332030	0.33 Ω \pm 10% 3W
R716	1	1	GN10332030	0.33 Ω \pm 10% 3W
R717	1	1	GN10332030	0.33 Ω \pm 10% 3W
R718	1	1	GN10332030	0.33 Ω \pm 10% 3W
R719	1	1	GG05102140	1k Ω
R720	1	1	GG05102140	1k Ω
R721	1	1	GG05102140	1k Ω
R722	1	1	GG05102140	1k Ω
R723	1	1	GD05123140	12k Ω
R723	1	1	GD05153140	15k Ω

REF. DESIG.	Q'TY		PART NO.	DESCRIPTION	
	U	C			
R724	1		GD05123140	12kΩ	
R724		1	GD05153140	15kΩ	
R725	1		GD05563140	56kΩ	
R725		1	GD05473140	47kΩ	
R726	1		GD05563140	56kΩ	
R726		1	GD05473140	47kΩ	
R727	1		GD05123140	12kΩ	
R727		1	GD05153140	15kΩ	
R728	1		GD05123140	12kΩ	
R728		1	GD05153140	15kΩ	
R729	1	1	GA05100020	10Ω	2W
R730	1	1	GA05100020	10Ω	2W
R732	1	1	RC10022120	2.2Ω	±10% ½W
R733	1	1	RC10022120	2.2Ω	±10% ½W
R801	1	1	GG05102140	1kΩ	
R802	1	1	GG05102140	1kΩ	
R803	1	1	GG05102140	1kΩ	
R804	1	1	GP05131050	130Ω	5W
R805	1	1	GD05822140	8.2kΩ	
R806	1	1	GD05822140	8.2kΩ	
R851	1	1	RC10225120	2.2mΩ	±10% ½W
P700-SEMICONDUCTORS					
QN01	1	1	HD20005010	Diode	WO6B
QN02	1	1	HD20001210	Diode	IS2473
QN03	1	1	HT326342B0	Transistor	2SC2634(S or T)
QN04	1	1	HT326342B0	Transistor	2SC2634(S or T)
QN05	1	1	HT326342B0	Transistor	2SC2634(S or T)
QN06	1	1	HT309452B0	Transistor	2SC945(Q or R)
QN07	1	1	HD20003210	Diode	IS2471
QN08	1	1	HD20001210	Diode	IS2473
Q701	1	1	HC10031030	IC	STK00502
Q702	1	1	HC10031030	IC	STK00502
Q703	1	1	HT107332B0	Transistor	2SA733(Q or R)
Q704	1	1	HT107332B0	Transistor	2SA733(Q or R)
Q705	1	1	HT309452B0	Transistor	2SC945(Q or R)
Q706	1	1	HT309452B0	Transistor	2SC945(Q or R)
Q709	1	1	HD20005010	Diode	WO6B
Q710	1	1	HD20005010	Diode	WO6B
Q711	1	1	HD20005010	Diode	WO6B
Q712	1	1	HD20005010	Diode	WO6B
Q713	1	1	HD20001210	Diode	IS2473
Q714	1	1	HD20001210	Diode	IS2473
Q715	1	1	HD20001210	Diode	IS2473
Q716	1	1	HD20001210	Diode	IS2473
Q717	1	1	HD20001210	Diode	IS2473
Q718	1	1	HD20001210	Diode	IS2473
Q719	1	1	HD20001210	Diode	IS2473
Q720	1	1	HD20001210	Diode	IS2473
Q721	1	1	HD20001210	Diode	IS2473
Q722	1	1	HD20001210	Diode	IS2473
Q723	1	1	HD20001210	Diode	IS2473
Q724	1	1	HD20001210	Diode	IS2473
Q725	1	1	HC10030030	IC	STK3062
Q801	1	1	HD20011290	Diode	S3V20
Q802	1	1	HD20011290	Diode	S3V20
Q803	1	1	HD20011290	Diode	S3V20
Q804	1	1	HD20011290	Diode	S3V20
Q805	1	1	HE10001030	Diode	DS133B
Q806	1	1	HE10001030	Diode	DS133B
Q807	1	1	HT403131Q0	Transistor	2SD313(E)

REF. DESIG.	Q'TY		PART NO.	DESCRIPTION	
	U	C			
Q808	1	1	HT326342B0	Transistor	2SC2634(S or T)
Q809	1	1	HD30021090	Zener	BZ-140
Q810	1	1	HD20005010	Diode	WO6B
P700-MISCELLANEOUS					
LN01	1	1	LY20240140	Relay	
L701	1	1	LL23915120	Coil	
L702	1	1	LL23915120	Coil	
F852		1	FS10100500	Fuse	1A 250V
F853		1	FS10100500	Fuse	1A 250V
J853		1	YJ08000170	Jack, Fuse Holder	
J854		1	YJ08000170	Jack, Fuse Holder	
J855		1	YJ08000170	Jack, Fuse Holder	
J856		1	YJ08000170	Jack, Fuse Holder	
PE00-TONE AMP. CIRCUIT BOARD					
PE00	1	1	YK211410A0	P.W. Board, Tone Amp.	
	1	1	ZZ111H10A0	P.W. Board Assembly	
PE00-CAPACITORS					
CE01	1	1	EA22405040	Elect	0.22μF 50V
CE02	1	1	EA22405040	Elect	0.22μF 50V
CE05	1	1	EE47505040	Elect	4.7μF 50V
CE06	1	1	EE47505040	Elect	4.7μF 50V
CE07	1	1	DD15101370	Ceramic	100pF ±5%
CE08	1	1	DD15101370	Ceramic	100pF ±5%
CE09	1	1	EA10605030	Elect	10μF 50V
CE10	1	1	EA10605030	Elect	10μF 50V
CE11	1	1	DF17472300	Film	0.0047μF ±20%
CE12	1	1	DF17472300	Film	0.047μF ±20%
CE13	1	1	DF17103300	Film	0.01μF ±20%
CE14	1	1	DF17103300	Film	0.01μF ±20%
CE15	1	1	DF17103300	Film	0.01μF ±20%
CE16	1	1	DF17103300	Film	0.01μF ±20%
CE17	1	1	EA10505030	Elect	1μF 50V
CE18	1	1	EA10505030	Elect	1μF 50V
CE21	1	1	DF17472300	Film	0.0047μF ±20%
CE22	1	1	DF17472300	Film	0.0047μF ±20%
CE23	1	1	EA33505090	Elect	3.3μF 50V
CE24	1	1	EA33505090	Elect	3.3μF 50V
CE25	1	1	DF17222350	Film	0.0022μF ±20%
CE26	1	1	DF17222350	Film	0.0022μF ±20%
CE27	1	1	EA10603530	Elect	10μF 35V
PE00-RESISTORS					
(All Resistors are ±5% and ½W)					
RE01	1	1	RQ02040020	50kΩ(B) x 2, 200kΩ Variable	
RE03	1	1	GD05391140	390Ω	
RE04	1	1	GD05391140	390Ω	
RE05	1	1	GD05333140	33kΩ	
RE06	1	1	GD05472140	4.7kΩ	
RE07	1	1	GD05105140	1MΩ	
RE08	1	1	GD05105140	1MΩ	
RE09	1	1	GD05182140	1.8kΩ	
RE10	1	1	GD05182140	1.8kΩ	
RE11	1	1	GD05273140	27kΩ	

● (U):for U.S.A.
● (C):for Canada

REF. DESIG.	Q'TY		PART NO.	DESCRIPTION
	U	C		
RE12	1	1	GD05273140	27kΩ
RE13	1	1	GD05822140	8.2kΩ
RE14	1	1	GD05822140	8.2kΩ
RE15	1	1	GD05474140	470kΩ
RE16	1	1	GD05474140	470kΩ
RE17	1	1	RM01040150	100kΩ(B) x 2 Variable
RE19	1	1	GD05123140	12kΩ
RE20	1	1	GD05123140	12kΩ
RE21	1	1	GD05822140	8.2kΩ
RE22	1	1	GD05822140	8.2kΩ
RE23	1	1	GD05154140	150kΩ
RE24	1	1	GD05154140	150kΩ
RE25	1	1	GD05562140	5.6kΩ
RE26	1	1	GD05562140	5.6kΩ
RE27	1	1	RM01040150	100kΩ(B) x 2 Variable
RE29	1	1	GD05562140	5.6kΩ
RE30	1	1	GD05562140	5.6kΩ
RE31	1	1	GD05273140	27kΩ
RE32	1	1	GD05273140	27kΩ
RE33	1	1	GD05273140	27kΩ
RE34	1	1	GD05273140	27kΩ
RE35	1	1	RM01040150	100kΩ(B) x 2 Variable
RE37	1	1	GD05273140	27kΩ
RE38	1	1	GD05273140	27kΩ
RE39	1	1	GD05334140	330kΩ
RE40	1	1	GD05334140	330kΩ
RE41	1	1	GD05225140	2.2MΩ
RE42	1	1	GD05225140	2.2MΩ
RE43	1	1	GD05683140	68kΩ
RE44	1	1	GD05683140	68kΩ
RE45	1	1	GD05103140	10kΩ
RE46	1	1	GD05103140	10kΩ
RE47	1	1	GD05221140	220Ω
RE48	1	1	GD05221140	220Ω
RE49	1	1	GD05473140	47kΩ
RE50	1	1	GD05473140	47kΩ
RE51	1	1	GD05102140	1kΩ
RE52	1	1	GD05102140	1kΩ
RE53	1	1	GD05223140	22kΩ
RE54	1	1	GD05223140	22kΩ
RE55	1	1	GD05332140	3.3kΩ
RE56	1	1	GD05332140	3.3kΩ
RE57	1	1	GD05100140	10Ω
PE00-SEMICONDUCTORS				
QE01	1	1	HT326342B0	Transistor 2SC2634(S or T)
QE02	1	1	HT326342B0	Transistor 2SC2634(S or T)
QE03	1	1	HT111272B0	Transistor 2SA1127(S or T)
QE04	1	1	HT111272B0	Transistor 2SA1127(S or T)
QE05	1	1	HT326342B0	Transistor 2SC2634(S or T)
QE06	1	1	HT326342B0	Transistor 2SC2634(S or T)
QE07	1	1	HT111272B0	Transistor 2SA1127(S or T)
QE08	1	1	HT111272B0	Transistor 2SA1127(S or T)

REF. DESIG.	Q'TY		PART NO.	DESCRIPTION
	U	C		
PL01-L.E.D. DRIVER CIRCUIT BOARD				
PL01	1	1	YK110H1210	P.W. Board, L.E.D. Driver
	1	1	ZZ110H1210	P.W. Board Assembly
PL01-CAPACITORS				
CL01	1	1	EA10505030	Elect 1μF 50V
CL02	1	1	EA47601630	Elect 47μF 16V
CL03	1	1	EA33505030	Elect 3.3μF 50V
CL04	1	1	EA33505030	Elect 3.3μF 50V
CL05	1	1	EA10505030	Elect 1μF 50V
CL06	1	1	EA10505030	Elect 1μF 50V
CL07	1	1	EA10505030	Elect 1μF 50V
CL08	1	1	EA10505030	Elect 1μF 50V
CL09	1	1	DK18103310	Ceramic 0.01μF
CL10	1	1	DK18103310	Ceramic 0.01μF
PL01-RESISTORS (All Resistors are ±5% and ¼W)				
RL01	1	1	RA01040110	100kΩ(B) Trimming 0.1W
RL02	1	1	GD05104140	100kΩ
RL03	1	1	GD05103140	10kΩ
RL04	1	1	GD05102140	1kΩ
RL05	1	1	GD05103140	10kΩ
RL06	1	1	GD05102140	1kΩ
RL15	1	1	GD05103140	10kΩ
RL16	1	1	GD05103140	10kΩ
RL17	1	1	GD05104140	100kΩ
RL18	1	1	GD05104140	100kΩ
RL19	1	1	GD05103140	10kΩ
RL20	1	1	GD05103140	10kΩ
RL21	1	1	GD05103140	10kΩ
RL22	1	1	GD05103140	10kΩ
RL23	1	1	RA02030060	20kΩ(B) Trimming 0.1W
RL24	1	1	RA02030060	20kΩ(B) Trimming 0.1W
RL25	1	1	GD05563140	56kΩ
RL26	1	1	GD05563140	56kΩ
RL27	1	1	GD05104140	100kΩ
RL28	1	1	GD05104140	100kΩ
RL40	1	1	GG05470140	470Ω
RL42	1	1	GD05822140	8.2kΩ
RL43	1	1	GD05333140	33kΩ
PL01-SEMICONDUCTORS				
QL01	1	1	HC10003320	IC IRZE11
QL02	1	1	HC10003090	IC JRC4558D
QL03	1	1	HC10008370	IC TL4890
QL04	1	1	HC10008370	IC TL4890
QL07	1	1	HD30076090	Zener WZ-038
QL08	1	1	HD30076090	Zener WX-038
QL09	1	1	HD20001210	Diode IS2473
QL10	1	1	HD20001210	Diode IS2473
QL11	1	1	HD20001210	Diode IS2473

REF. DESIG.	Q'TY		PART NO.	DESCRIPTION
	U	C		
PL02	1	1	YK110H1220	PL02-L.E.D. CIRCUIT BOARD P.W. Board L.E.D.
	1	1	ZZ110H1220	P.W. Board Assembly
				PL02-RESISTORS (All Resistors are ±5% and ¼W)
RL07	1	1	GD05122140	1.2kΩ
RL08	1	1	GD05122140	1.2kΩ
RL09	1	1	GD05122140	1.2kΩ
RL10	1	1	GD05471140	470 Ω
RL11	1	1	GD05471140	470 Ω
RL12	1	1	GD05222140	2.2kΩ
RL13	1	1	GD05102140	1k Ω
RL14	1	1	GD05222140	2.2kΩ
RL29	1	1	GD05471140	470 Ω
RL30	1	1	GD05471140	470 Ω
RL31	1	1	GD05471140	470 Ω
RL32	1	1	GD05471140	470 Ω
RL33	1	1	GD05471140	470 Ω
RL34	1	1	GD05471140	470 Ω
RL35	1	1	GD05471140	470 Ω
RL36	1	1	GD05471140	470 Ω
RL37	1	1	GD05122140	1.2kΩ
RL38	1	1	GD05122140	1.2kΩ
RL39	1	1	GD05471140	470 Ω
				PL02-SEMICONDUCTORS
QL12	1	1	HI10012030	L.E.D. SLP154B
QL13	1	1	HI10012030	L.E.D. SLP154B
QL14	1	1	HI10012030	L.E.D. SLP154B
QL15	1	1	HI10013030	L.E.D. SLP254B
QL16	1	1	HI10013030	L.E.D. SLP254B
QL17	1	1	HI10012030	L.E.D. SLP154B
QL18	1	1	HI10013030	L.E.D. SLP254B
QL19	1	1	HI10012030	L.E.D. SLP154B
QL20	1	1	HI10013030	L.E.D. SLP254B
QL21	1	1	HI10013030	L.E.D. SLP254B
QL22	1	1	HI10013030	L.E.D. SLP254B
QL23	1	1	HI10013030	L.E.D. SLP254B
QL24	1	1	HI10013030	L.E.D. SLP254B
QL25	1	1	HI10013030	L.E.D. SLP254B
QL26	1	1	HI10013030	L.E.D. SLP254B
QL27	1	1	HI10013030	L.E.D. SLP254B
QL28	1	1	HI10013030	L.E.D. SLP254B
QL29	1	1	HI10012030	L.E.D. SLP154B
QL30	1	1	HI10012030	L.E.D. SLP154B
				PS00-SWITCH CIRCUIT BOARD
PS00	1	1	YF111H0010	P.W. Board, Push Switch
	1	1	ZZ111H1010	P.W. Board Assembly
				PS00-CAPACITORS
CS01	1	1	DF17122300	Film 1200pF ±20%
CS02	1	1	DF17122300	Film 1200pF ±20%
CS03	1	1	EA10405030	Elect 0.1μF 50V
CS04	1	1	EA10405030	Elect 0.1μF 50V
CS05	1	1	EA33405030	Elect 0.33μF 50V
CS06	1	1	EA33405030	Elect 0.33μF 50V

REF. DESIG.	Q'TY		PART NO.	DESCRIPTION
	U	C		
				PS00-RESISTORS (All Resistors are ±5% and ¼W)
RS01	1	1	GD05332140	3.3kΩ
RS02	1	1	GD05332140	3.3kΩ
RS03	1	1	GD05103140	10kΩ
RS04	1	1	GD05103140	10kΩ
RS05	1	1	GD05392140	3.9kΩ
RS06	1	1	GD05392140	3.9kΩ
RS07	1	1	GD05273140	27kΩ
RS08	1	1	GD05273140	27kΩ
RS09	1	1	GD05273140	27kΩ
RS10	1	1	GD05273140	27kΩ
				PS00-SWITCH
SS01	1	1	SP04070060	Push Switch (SS01-1 ~ SS01-7)
				PT00-SPEAKER SWITCH CIRCUIT BOARD
PT00	1	1	YK211410i0	P.W. Board, Speaker Switch
	1	1	ZZ111H10i0	
				PT00-RESISTORS
RT01	1	1	GA05331020	330Ω ±5% 2W
RT02	1	1	GA05331020	330Ω ±5% 2W
				PT00-SWITCH
ST01	1	1	SP04020310	Push Switch, Speaker
				PW00-HEADPHONE JACK CIRCUIT BOARD
PW00	1	1	YK211410E0	P.W. Board, Headphone Jack
	1	1	ZZ211410E0	P.W. Board Assembly
JW01	1	1	YJ01001340	Jack, Headphone
				PW50-SPEAKER TERMINAL CIRCUIT BOARD
PW50	1	1	YK211410J0	P.W. Board, Speaker Terminal
	1	1	ZZ111H10J0	P.W. Board Assembly
JW51	1	1	YT03040180	Terminal
JW52	1	1	YT03040180	Terminal
				PY00-STEREO LED CIRCUIT BOARD
PY00	1	1	YK211410F0	P.W. Board, Stereo L.E.D.
	1	1	ZZ211410F0	P.W. Board Assembly
RY01	1	1	GD05222140	Resistor 2.2kΩ ¼W
QY01	1	1	HI10009020	L.E.D. LN26RP
				PZ00-DIAL POINTER LAMP CIRCUIT BOARD
PZ00	1	1	YK211410G0	P.W. Board, Dial Pointer Lamp
	1	1	ZZ111H10G0	P.W. Board Assembly
VZ01	1	1	IN10080530	Lamp 55mA 8V

(8V AC)

(W01-99)	Assembly and Wiring
(T01-99)	Adjustment
(X01-00)	Correction

11 TECHNICAL SPECIFICATIONS

[FOR U.S.A. & CANADA]

AMPLIFIER SECTION

RATED POWER OUTPUT, MINIMUM CONTINUOUS AVERAGE POWER	
PER CHANNEL, BOTH CHANNELS DRIVEN	63 W
POWER BAND	20 Hz to 20 kHz
TOTAL HARMONIC DISTORTION	0.05%
LOAD IMPEDANCE	4 OHMS
RATED POWER OUTPUT, MINIMUM CONTINUOUS AVERAGE POWER	
PER CHANNEL, BOTH CHANNELS DRIVEN	50 W
POWER BAND	20 Hz to 20 kHz
TOTAL HARMONIC DISTORTION	0.025%
LOAD IMPEDANCE	8 OHMS

I.M. Distortion

(I.H.F. method, 60 Hz and 7 kHz mixed 4:1 at rated power output)	
at 8 ohm load impedance	0.025%
at 4 ohm load impedance	0.05%
Damping Factor (at 20 Hz)	50

PREAMPLIFIER SECTION

Phono	
Input Overload at 1 kHz	130 mV
Equivalent Input Noise ("A" Weighted)	0.3 μ V
Dynamic Range	
(Dynamic Range is the ratio of input overload to equivalent input noise)	113 dB
Input Sensitivity	2.7 mV
Input Impedance	47 kohms
Input Capacitance	220 pF
Frequency Response, RIAA 20 Hz to 20 kHz	\pm 0.3 dB
Signal-to-Noise Ratio ("A" Weighted)	
(at rated output and 10 mV input)	88 dB
High Level (Aux and Tape)	
Input Sensitivity	160 mV
Input Impedance	20 kohms
Frequency Response	
(includes power amp)	10 Hz to 60 kHz \pm 1.0 dB
Signal-to-Noise Ratio ("A" Weighted)	
(ref. to rated output and 775 mV input)	98 dB
Output Levels	
Tape Out (ref. 10 mV at Phone inputs)	580 mV
Output Impedance	
Tape Out	500 ohms

FM TUNER SECTION

Sensitivity	
IHF Usable	10.3 dBf (1.8 μ V)
IHF 50 dB Quieting (Mono)	13.9 dBf (2.5 μ V)
(Stereo)	36.8 dBf (38 μ V)
Quieting Slope (Mono)	
RF Input for 30 dB Quieting	8.2 dBf (1.4 μ V)
Quieting at:	
20 dBf (5.5 μ V)	55 dB
25 dBf (10 μ V)	60 dB
40 dBf (55 μ V)	74 dB
65 dBf (1000 μ V)	78 dB

Quieting Slope (Stereo)	
Quieting at:	
30 dBf (17 μ V)	40 dB
40 dBf (55 μ V)	52 dB
50 dBf (173 μ V)	62 dB
65 dBf (1000 μ V)	70 dB
Distortion (Mono) at 65 dBf (1000 μ V)	
100 Hz	0.2%
1000 Hz	0.15%
6000 Hz	0.2%
Distortion (Stereo) at 65 dBf (1000 μ V)	
100 Hz	0.25%
1000 Hz	0.25%
6000 Hz	0.35%
Frequency Response	
30 Hz to 15 kHz	
Mono and Stereo	+0.5 dB, -1.0 dB
Capture Ratio at 65 dBf (1000 μ V)	1.0 dB
Alternate Channel Selectivity	65 dB
Spurious Response Rejection	90 dB
Image Response Rejection	55 dB
I.F. Rejection (Balanced)	85 dB
A.M. Suppression	55 dB
Stereo Separation at 1 kHz	45 dB
Subcarrier Rejection	65 dB

AM TUNER SECTION

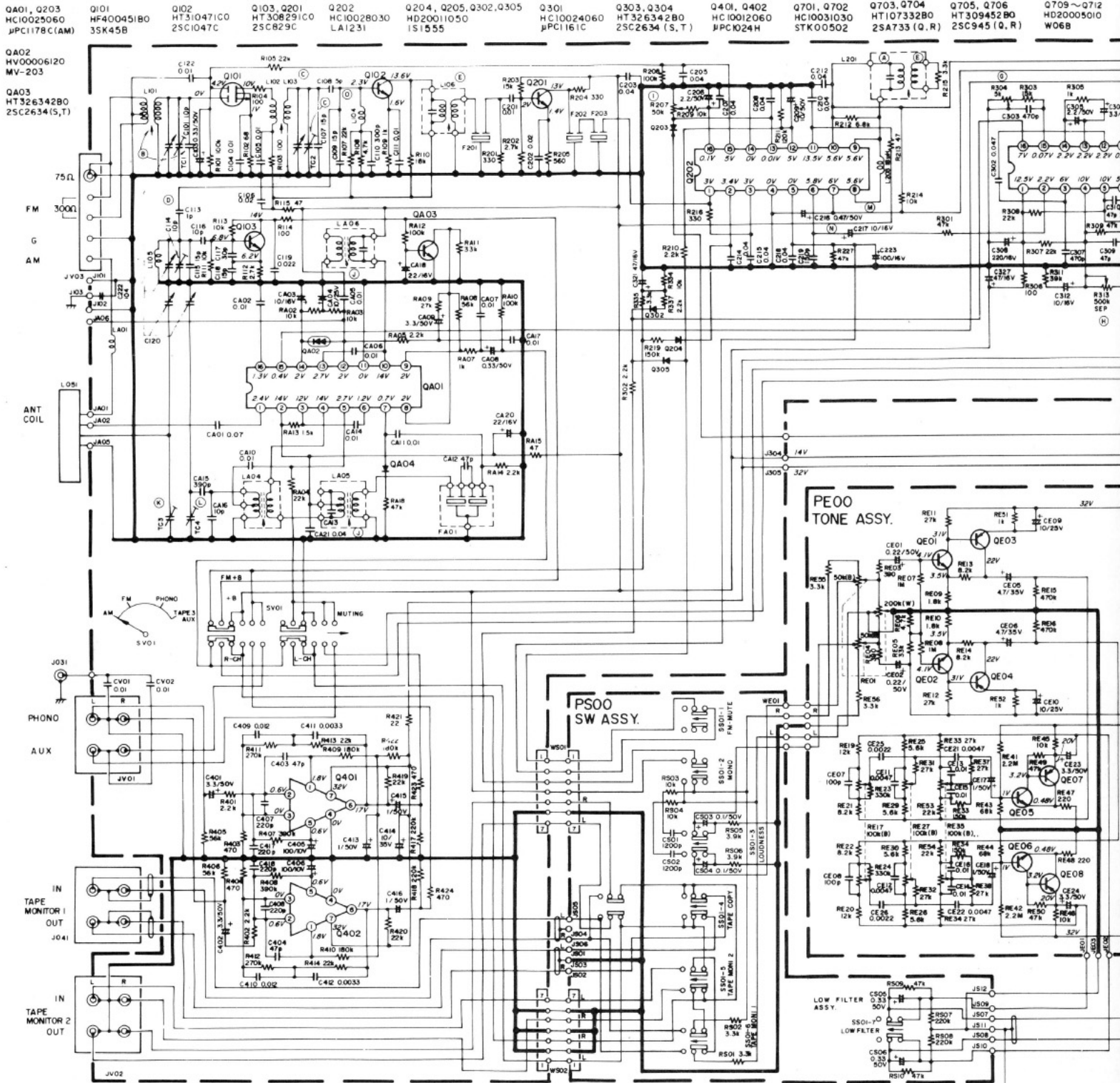
IHF Usable Sensitivity	20 μ V
Signal-to-Noise Ratio	50 dB
Alternate Channel Selectivity	45 dB
Image Rejection	45 dB
Spurious Response Rejection	55 dB
I.F. Rejection	40 dB

GENERAL

Power Requirements	120 VAC, 60 Hz
Power Consumption at rated output, both channels operating	215 W
Idling Power (Volume Control at zero)	30 W
Dimensions:	
Panel Width	466 mm (18-3/8")
Panel Height	140 mm (5-1/2")
Depth	353 mm (13-7/8")
Weight:	
Unit alone	10 kg (22 lbs)
Packed for Shipment	12 kg (26.4 lbs)

Specifications and appearance are subject to change for modification without notice.

12. SCHEMATIC DIAGRAM



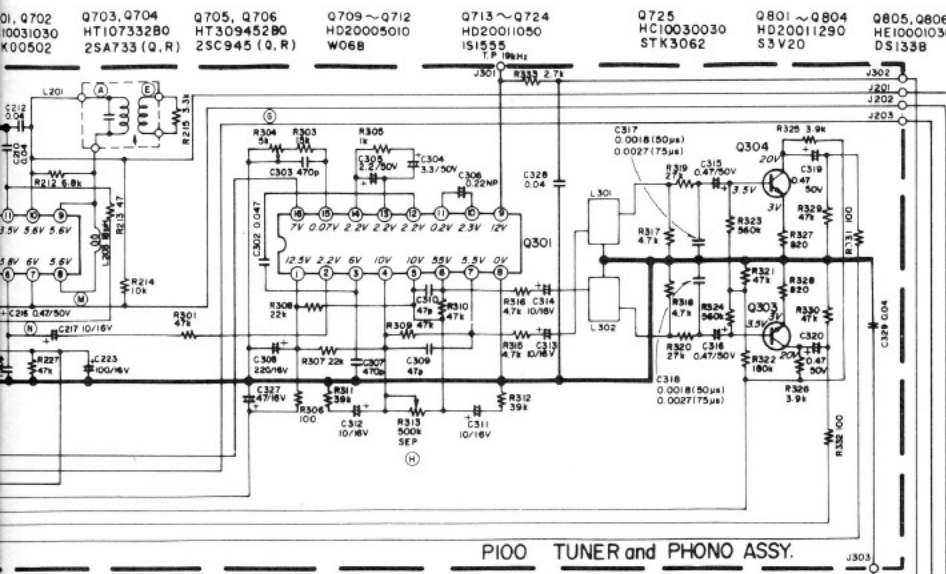
NOTE

THE PARTS MARKED WITH Δ ARE IMPORTANT PARTS ON THE SAFETY PLEASE USE THE PARTS HAVING THE DESIGNATED PARTS NUMBER WITHOUT FAIL

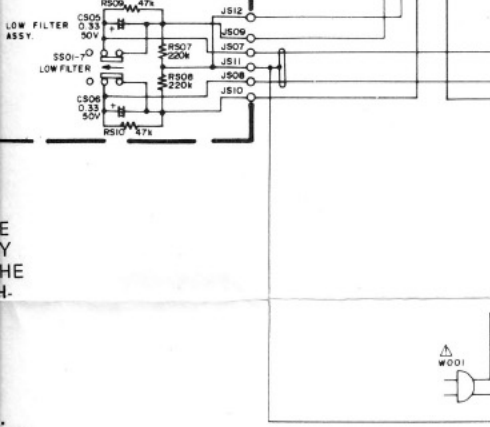
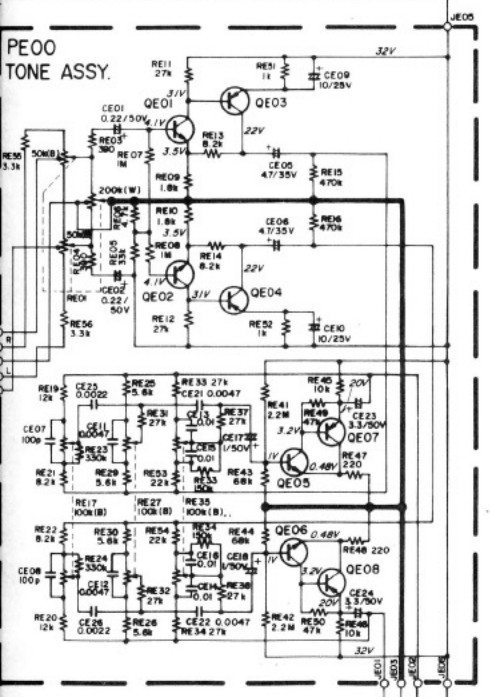
	F001	F852	F853	R851
U.S.A. (U)	4A 250V			2.2M 0.5W
CANADA (C)	4A 250V	1A 250V	1A 250V	2.2M 0.5W

RESISTOR UNIT : Ω $\frac{1}{4}$ W
 CAPACITOR UNIT : μ F

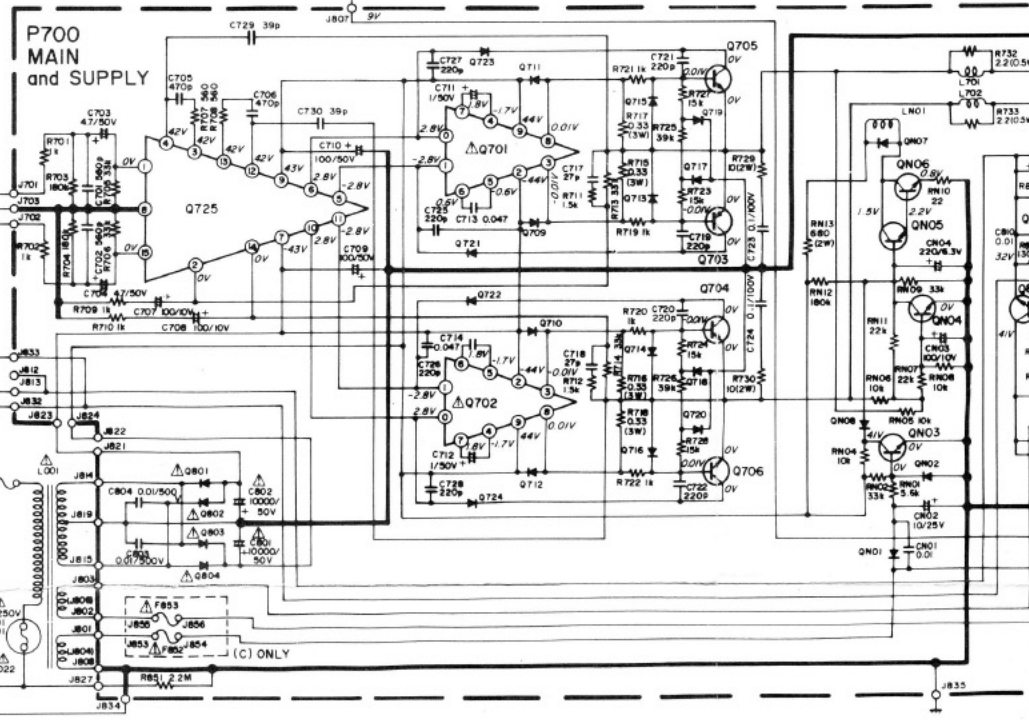
Components and wiring are subject to change for modification without notice.



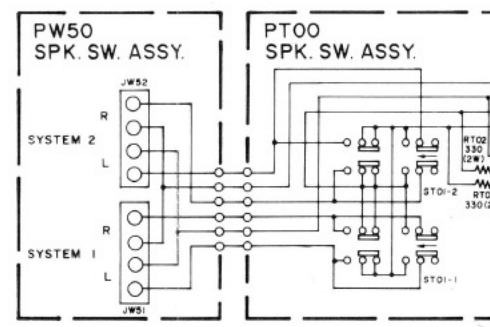
PI00 TUNER and PHONO ASSY.



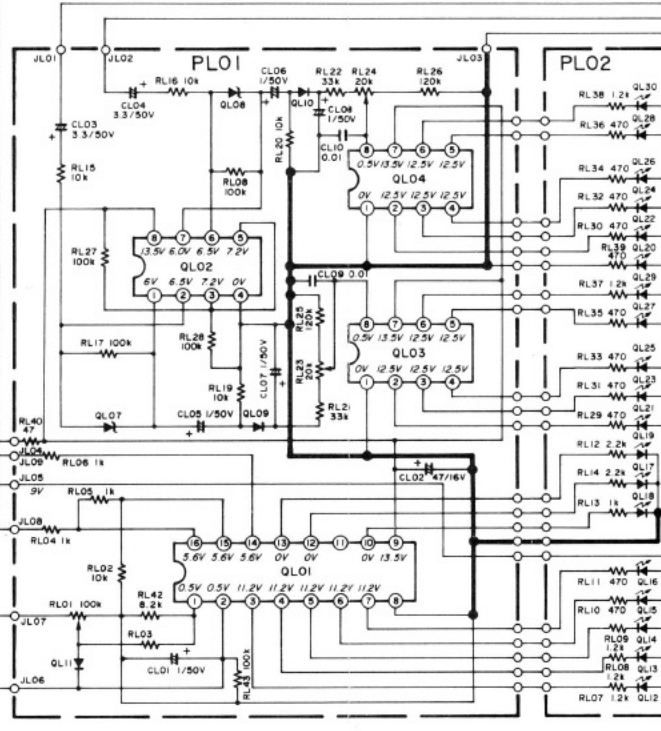
PY00 LED ASSY.



P700 MAIN and SUPPLY



- Q702 HT107332B0
- Q703, Q704 HT309452B0
- Q705, Q706 HT309452B0
- Q709 ~ Q712 HD20005010
- Q713 ~ Q724 HD20011050
- Q725 HC10030030
- Q801 ~ Q804 HD20011290
- Q805, Q806 HE10001030
- Q807 HT40313100
- Q808 HT326342B0
- Q809 HD30021090
- Q810 HD20005010



Q801 ~ Q804
HD20011290
S3V20

Q805, Q806
HE10001030
DS133B

Q807
HT40313100
2SD313(E)

Q808
HT326342B0
2SC2634(S,T)

Q809
HD30021090
BZ-140

Q810
HD20005010
W06B

PW50
SPK. SW. ASSY.

PT00
SPK. SW. ASSY.

QE01, QE02, QE05, QE06
HT326342B
2SC2634(S,T)

QL07, QL08
HD30076090
WZ-038

QE03, QE04, QE07, QE08
HT111272B
2SA1127(S,T)

QL09 ~ QL11
HD20001210
IS2473

QN01
HD20005010
W06B

QL12 ~ QL14
QL17, QL19, QL29, QL30
H110012030
SLP154B (RED)

QN02, QN07, QN08
HD20011005
2SC2634(S,T)

QL15, QL16, QL18
QL20 ~ QL28
H110013030
SLP254B (GREEN)

QN03 ~ QN05
HT326342B
2SC2634(S,T)

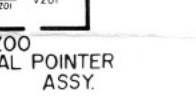
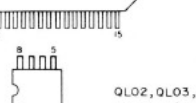
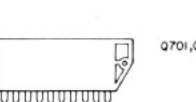
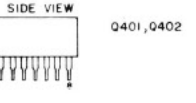
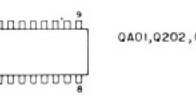
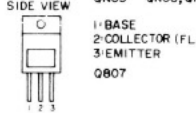
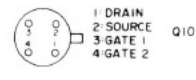
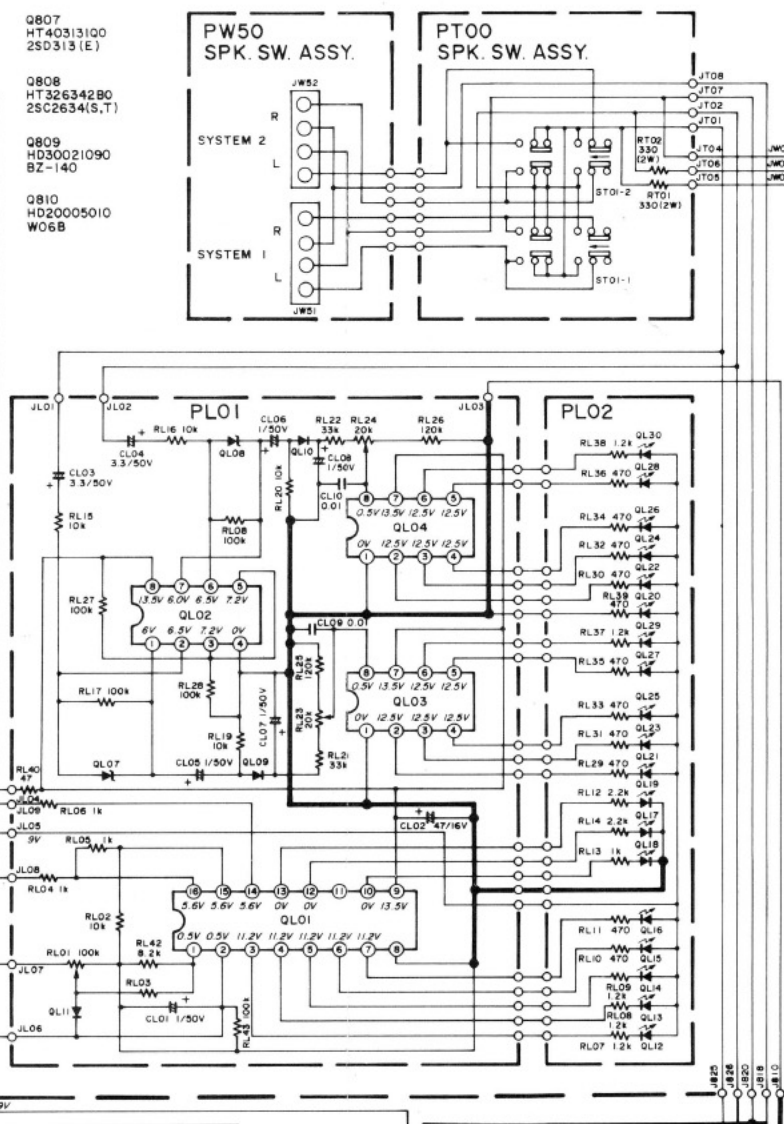
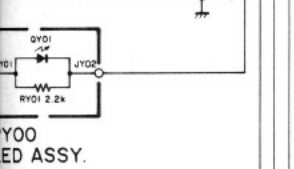
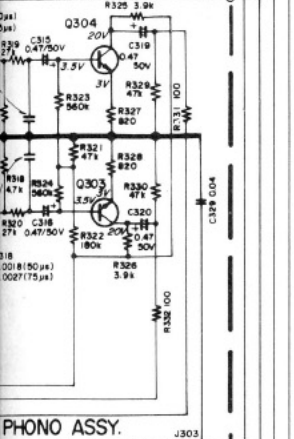
QY01
HI10009020
LN26RP

QN06
HT309452B
2SC945(Q,R)

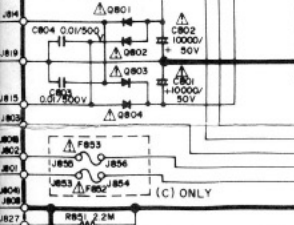
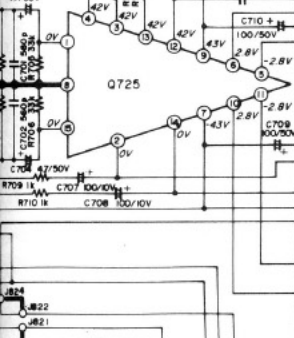
QL01
HC10003320
1RZE11

QL02
HC10003090
JRC445B

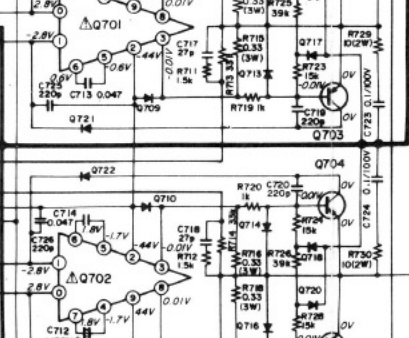
QL03, QL04
HC10008370
TL489C



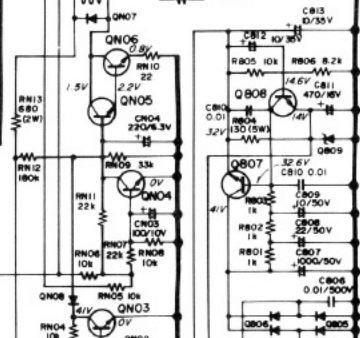
Q725



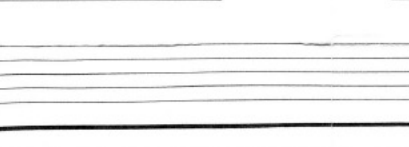
Q705



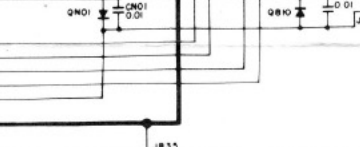
Q703



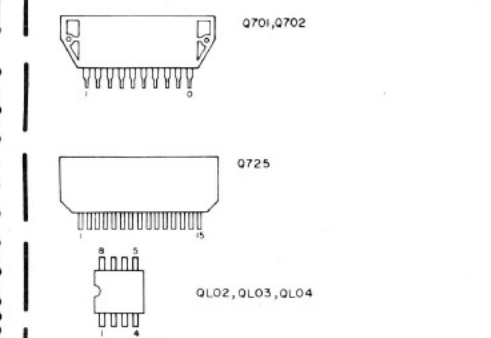
Q702



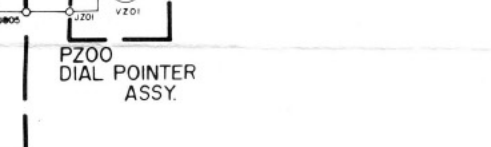
Q704



Q707



Q706



(C) ONLY

model SR5100/MR1155



marantz®